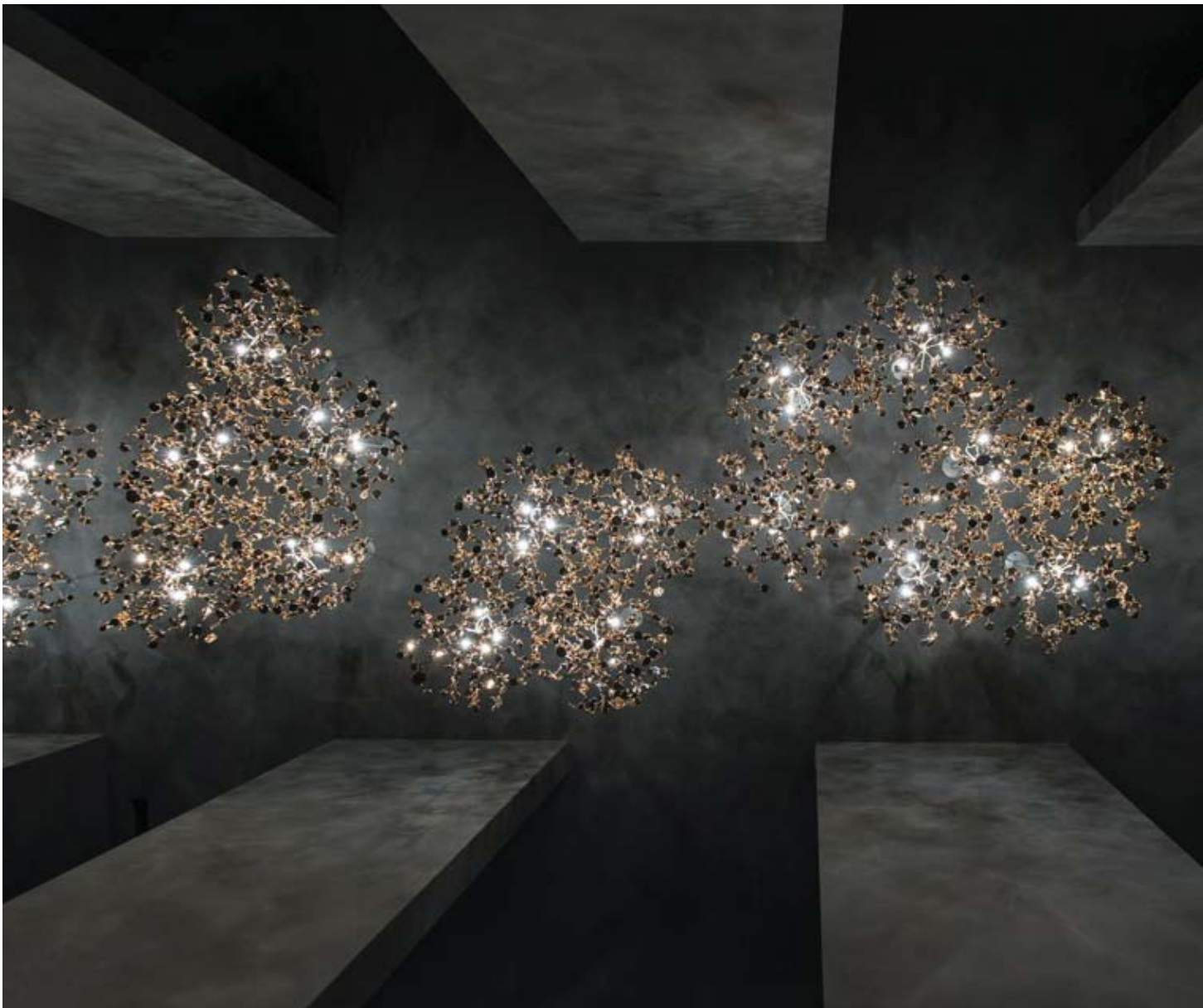


when
light
meets
art

TERZANI
LA LUCE PENSATA



Pr



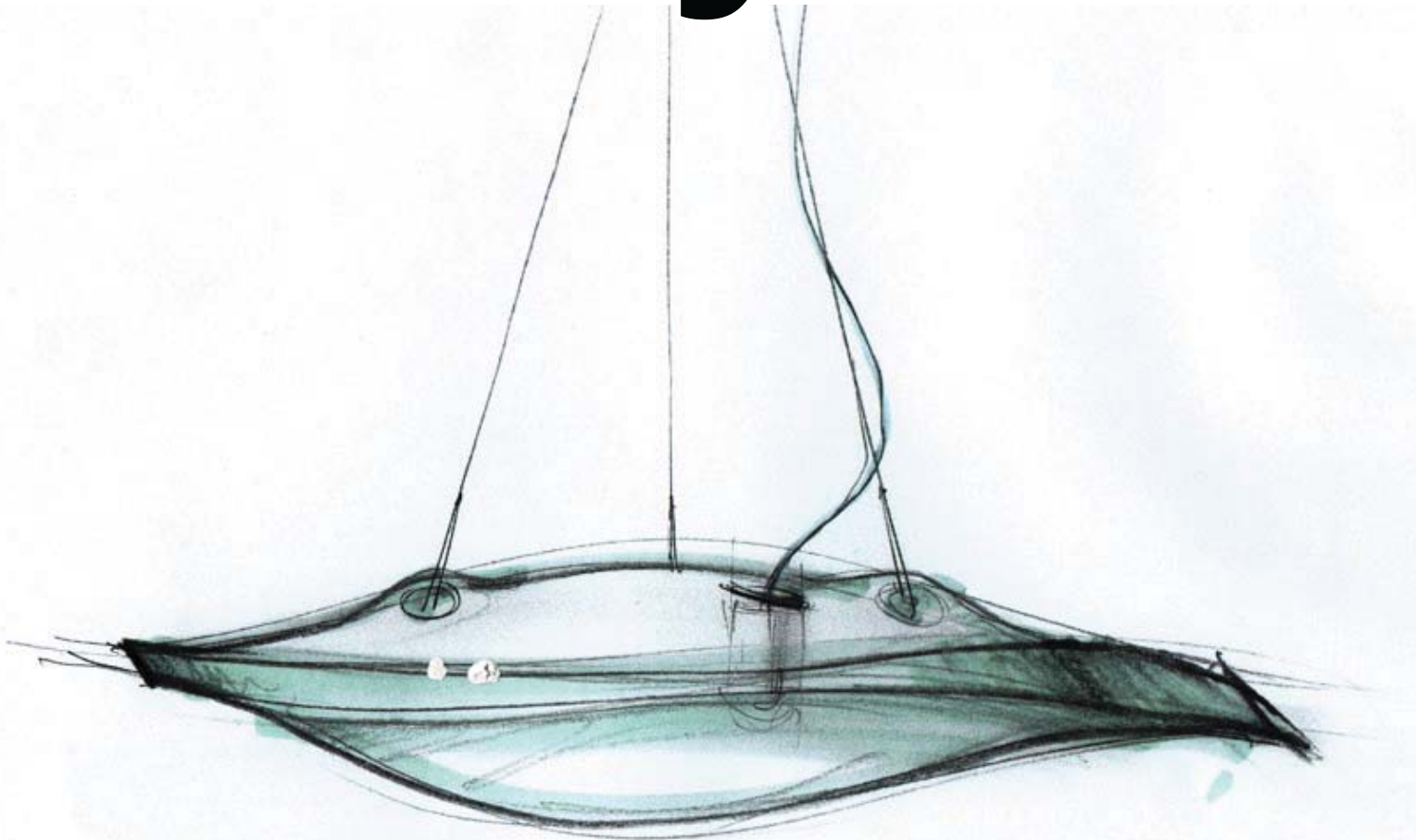
precious Design

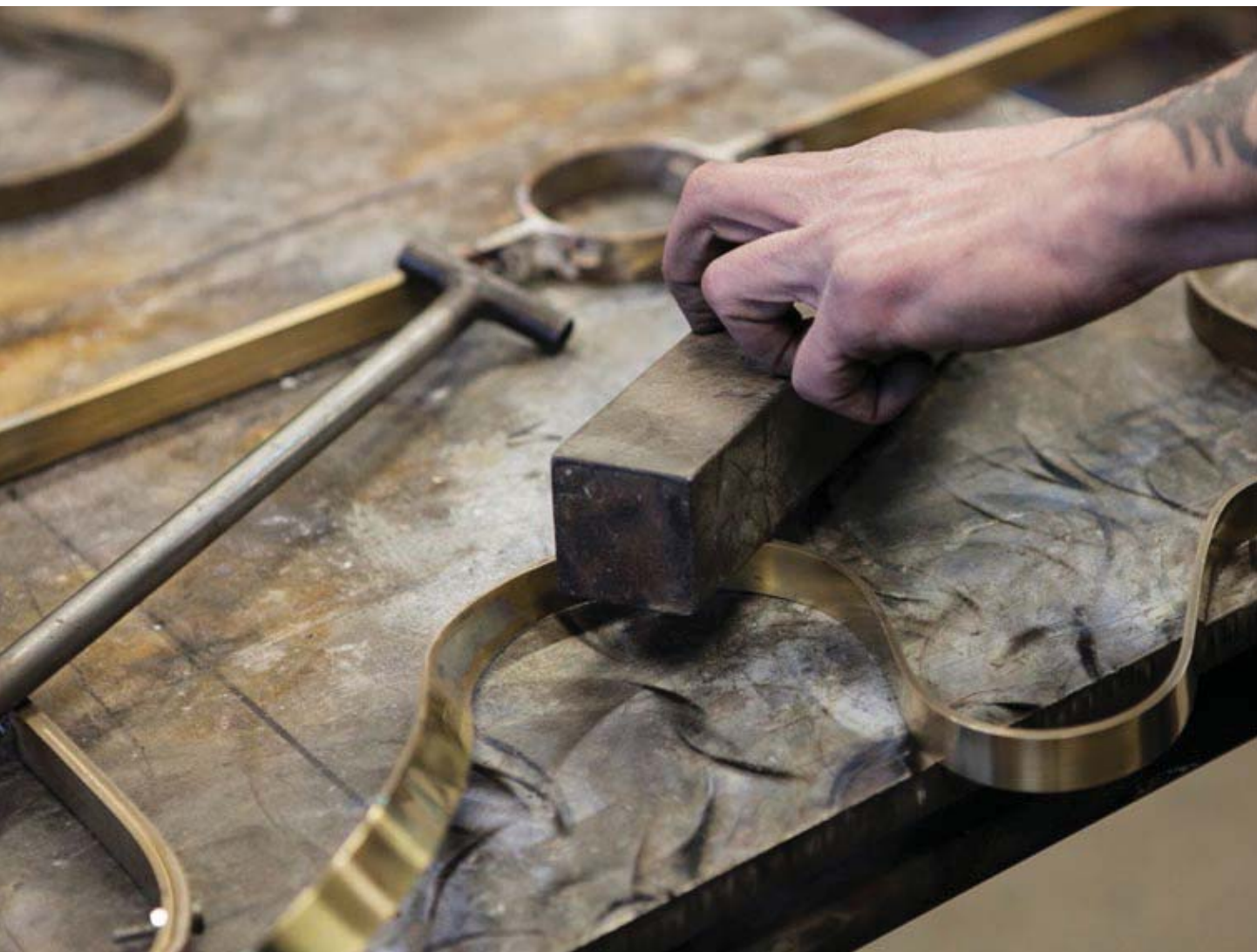


188 Abacus
300 Angel Falls
306 Anish
090 Argent
032 Atlantis
362 Bond
290 Calle
262 Core
228 Doodle
022 Epoque
336 Etoile
278 Frame
168 Gaia
350 Glamour
314 G.r.a
366 Hugo
272 Iceberg
246 I Lucci Argentati
358 Magdalena
156 Manta
122 Mizu
218 Moiré
324 Orten'zia
208 Oscar
182 Pug
082 Soscik
056 Stream
344 Tresor
068 Volver
370 Wabi



crea- tivity





herit- age



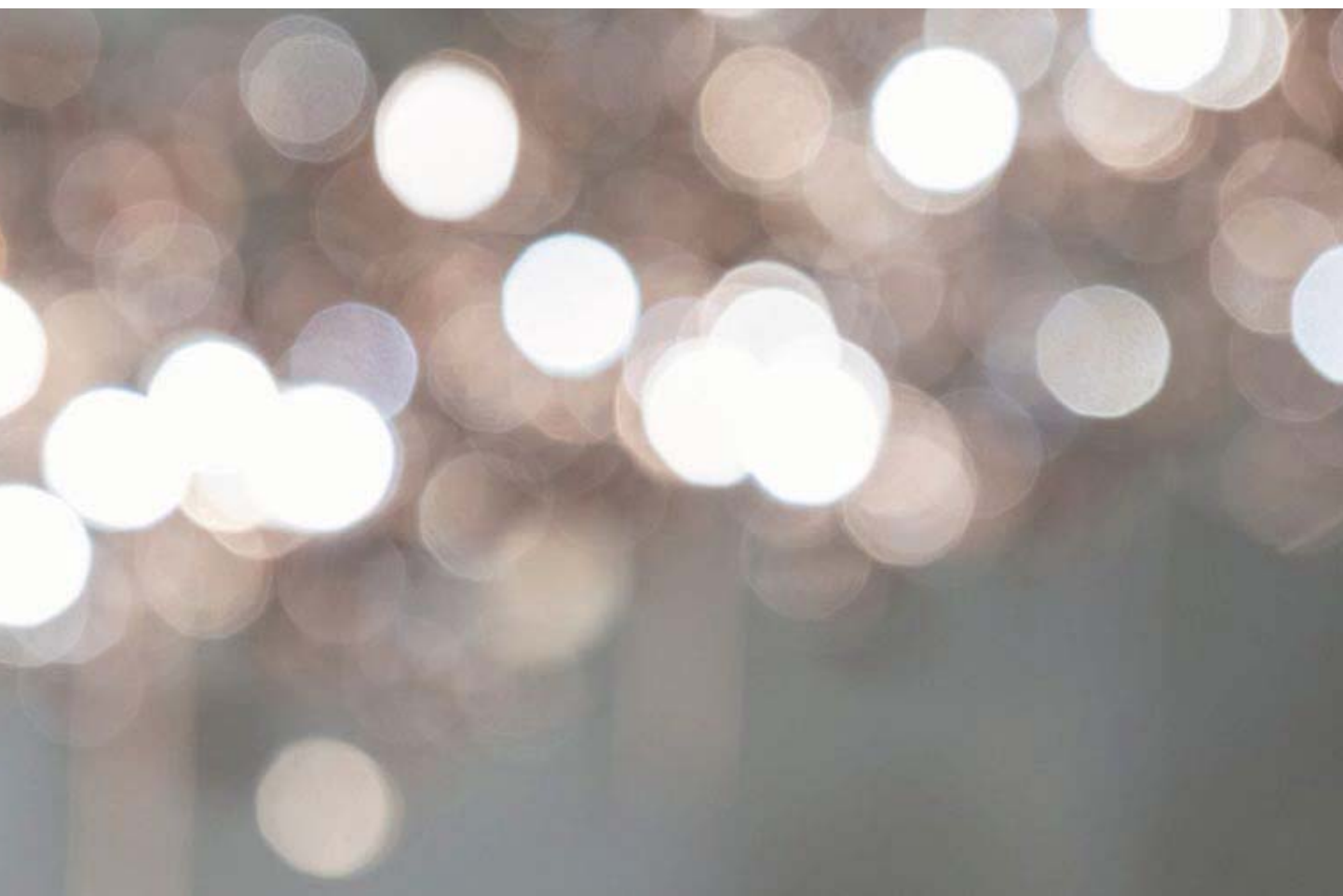


sculp-
tural





contem-
porary





hand- made





ele-
gan-
ce





e- motion



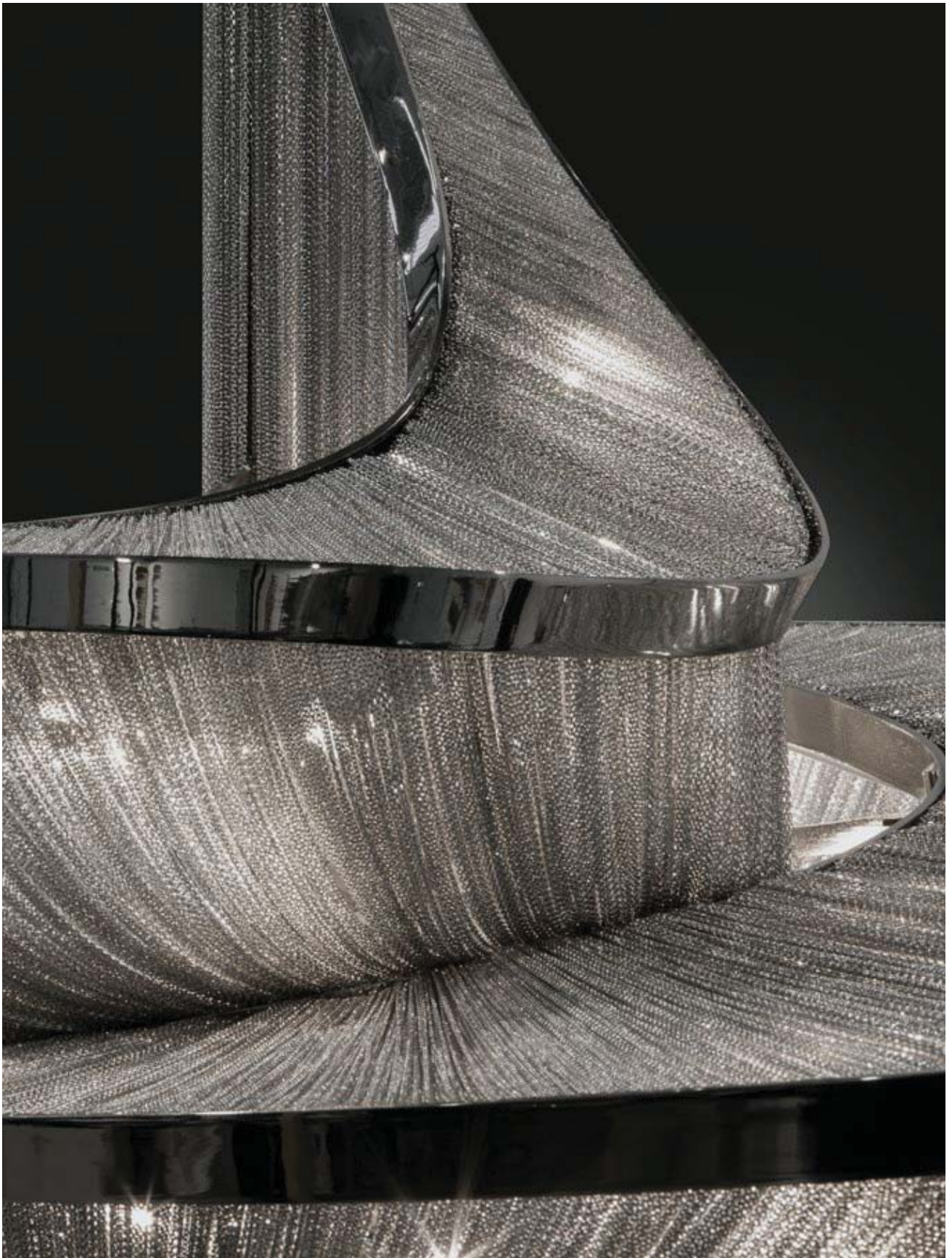
Epoque, Cyclical *Light.*

Epoque is a light sculpture designed to study chiaroscuro and volumes. The result is a modern expression of these Renaissance-era techniques in a stunning chandelier. Composed of curved, organic lines, Epoque's frame is made of flexible and durable brass metal, suspended by nickel metal chains. Two bands of metal, a central elongated section and an external band of wide arcs, allows the light to envelop a room in reflections of soft light. Epoque has attracted attention from those in the design community with discerning tastes. Epoque is available in nickel, black nickel, gold and bronze finish. Design Stefano Papi & Saviz Yaghmai.





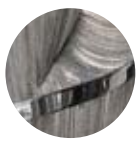
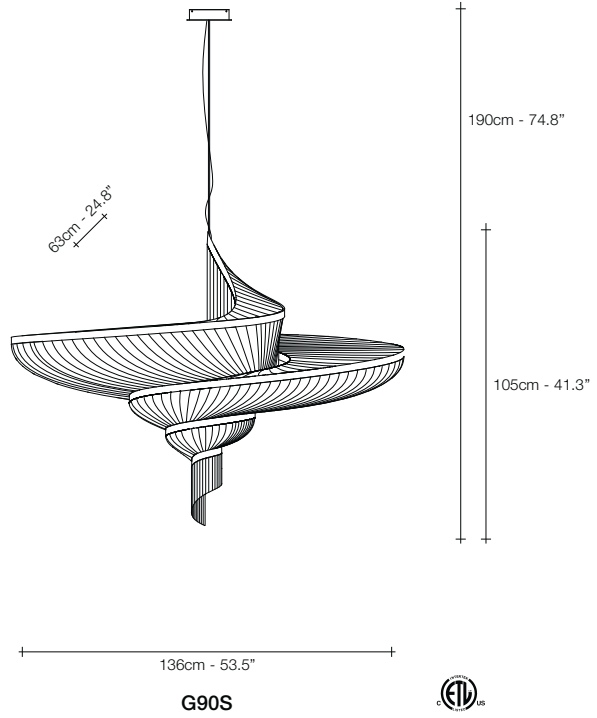
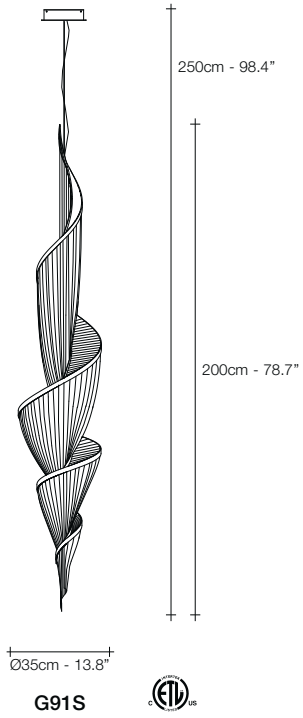




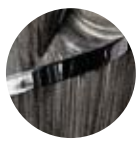








NICKEL



BLACK NICKEL



BRONZE



GOLD PLATED

	INTEGRATED LED	G91S	G90S
230V		LED	12x2.1W 2880lm
	Dimmer	0/1-10V PUSH/DALI	PUSH DALI
120V		LED	12x2.1W 2880lm
	Dimmer	0/1-10V PUSH/DALI	1-10V PWM 10-100KΩ

Epoque can be manufactured to work with 3000K or 2700K LED. Different dimming options on request



Atlantis, a precious *wave.*

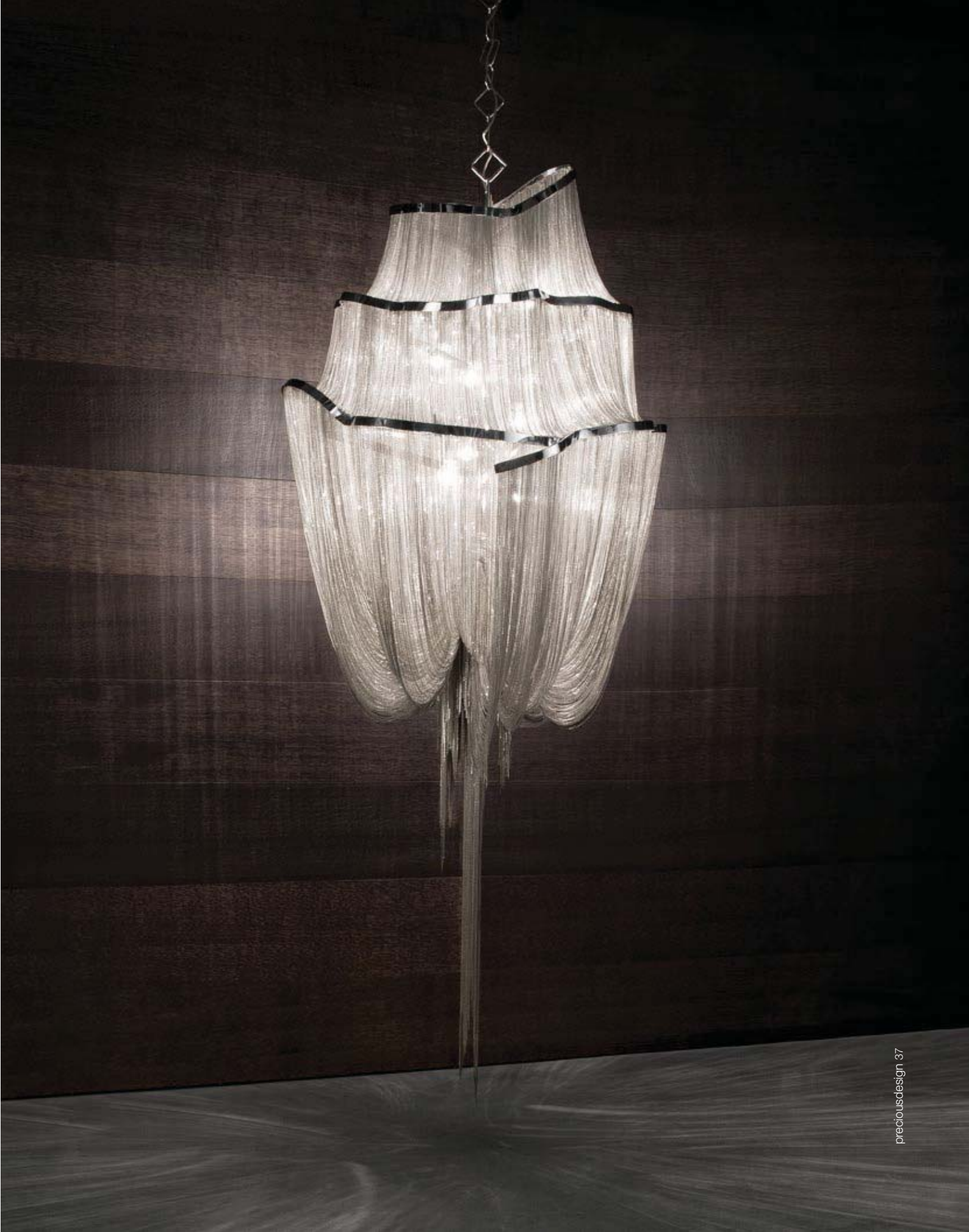
Seemingly alive, Atlantis' shimmering light creates a vibrant source of energy. Its mesmerizing, organic effect is created by hundreds of illuminated lengths of draped, nickel chain. Like water in the ocean, Atlantis' chains appear liquid, cascading over its gloss nickel bands and falling down towards the abyss before turning back into itself. Atlantis is composed of almost three miles of chain, meticulously hand-crafted by master italian artisans. Atlantis is available in nickel, black nickel, bronze, gold and champagne finish. Design Barlas Baylar.









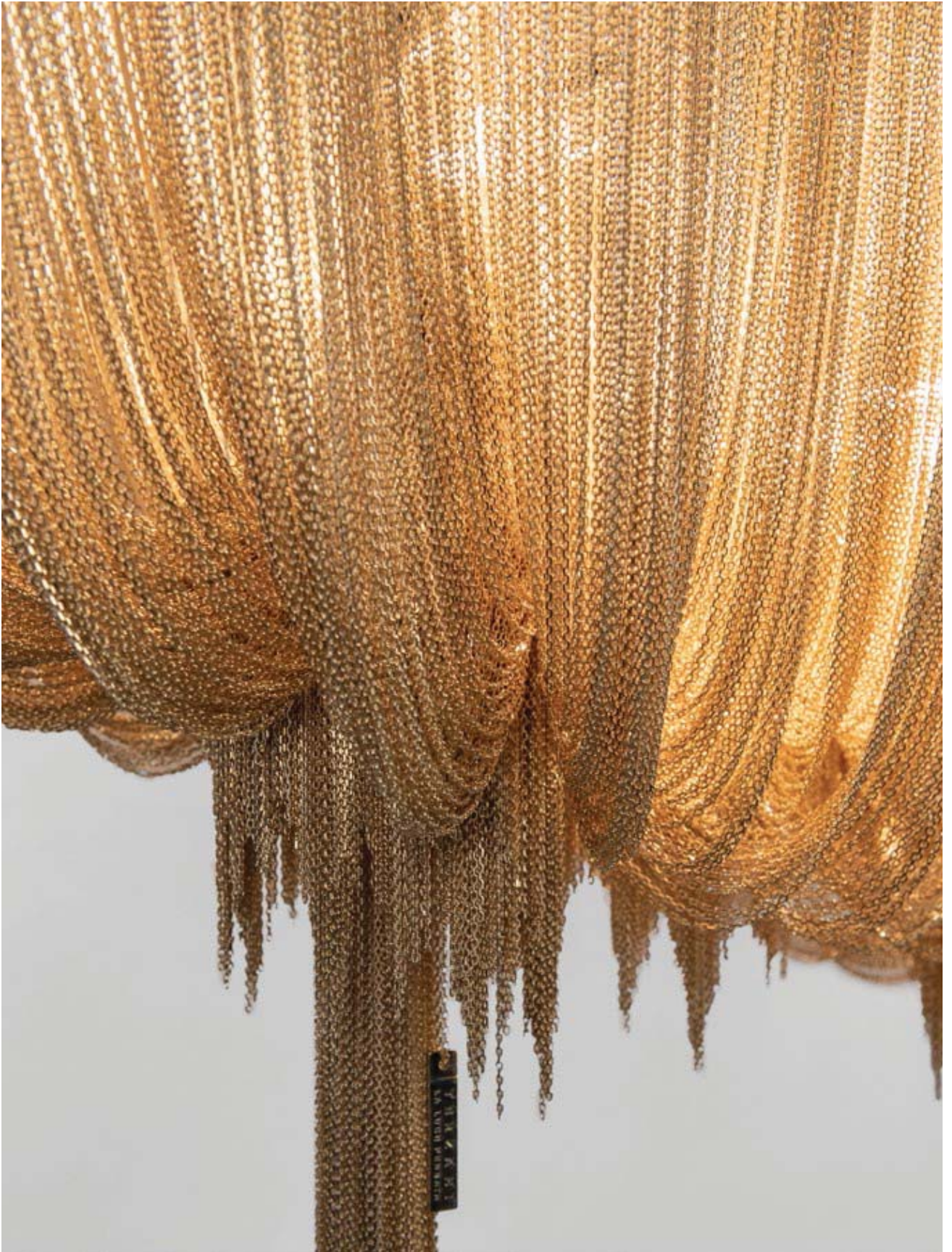




















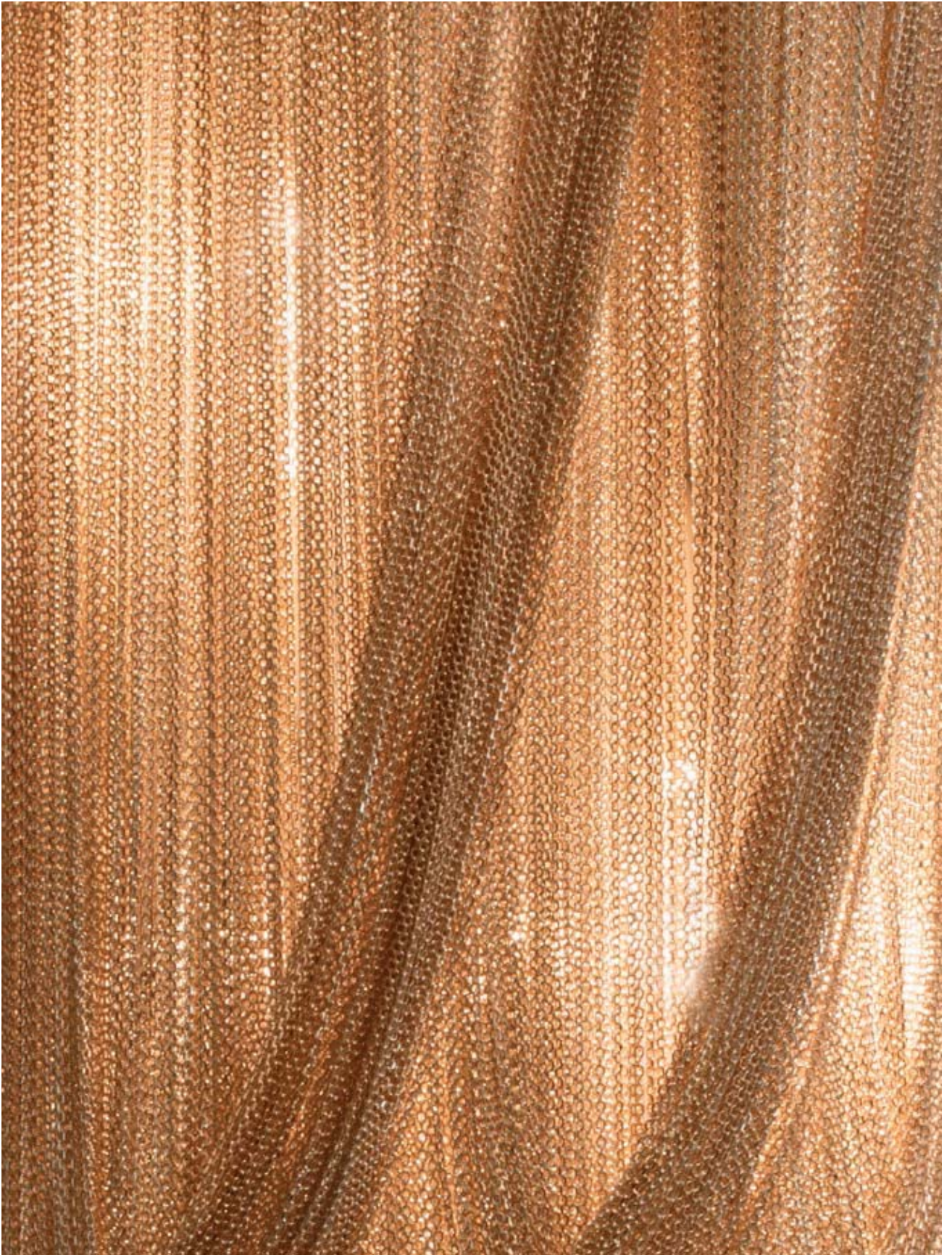
















Stream, Iridescent *Light.*

A stunning design from Christian Lava, Stream is an impressive presence in any room. Stream's design exploits the physical characteristics of the materials used to envelop a room in a unique, immersive light. Here, an elegant thin metal chain appear to flow down from the undulating, nickel-plated frame. These cascading tiers project a streaking, yet tranquil, shadow throughout the room. Design Christian Lava.









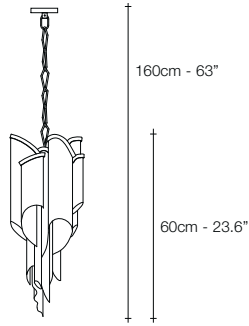






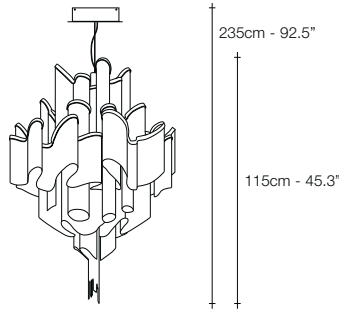






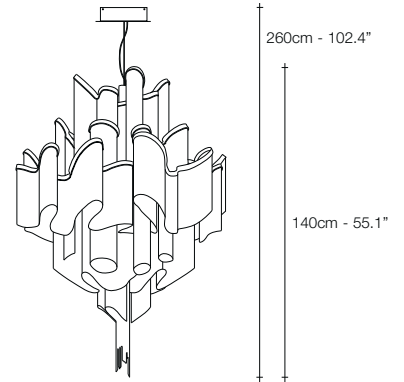
Ø30cm - 11.8"

J54S



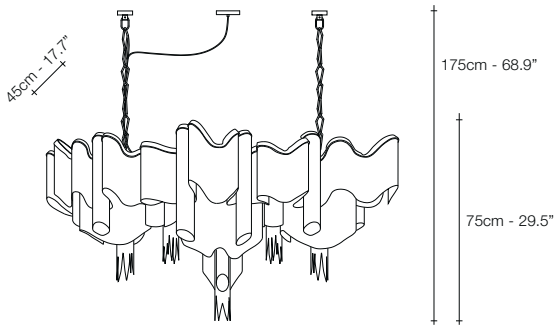
Ø80cm - 31.5"

J51S

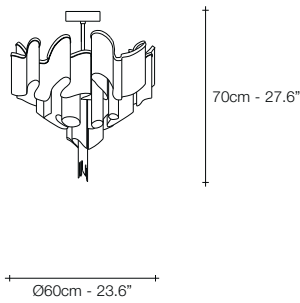


Ø110cm - 43.3"

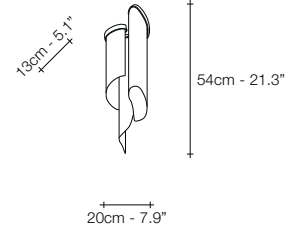
J50S



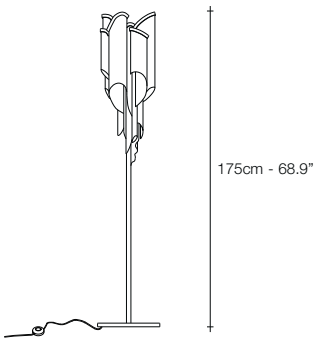
J52S



J70L



J60A



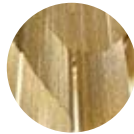
J65P



NICKEL



BLACK NICKEL



GOLD PLATED

RECOMMENDED BULB



Dimmable with all systems |

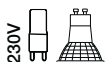
J51S

18x4W
5W

J50S

20x4W
5W

RECOMMENDED BULB



Dimmable with all systems |

J54S

4x3.5W
5W

J52S

12x3.5W
3x5W

J70L

8x3.5W
5W

RECOMMENDED BULB



Dimmable with all systems |

J60A

2x6W

J65P

6x6W

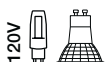
integrated



Dimmable with all systems |

18x4W
6W

20x4W
6W



Dimmable with all systems |

4x4W
6W

12x4W
3x6W

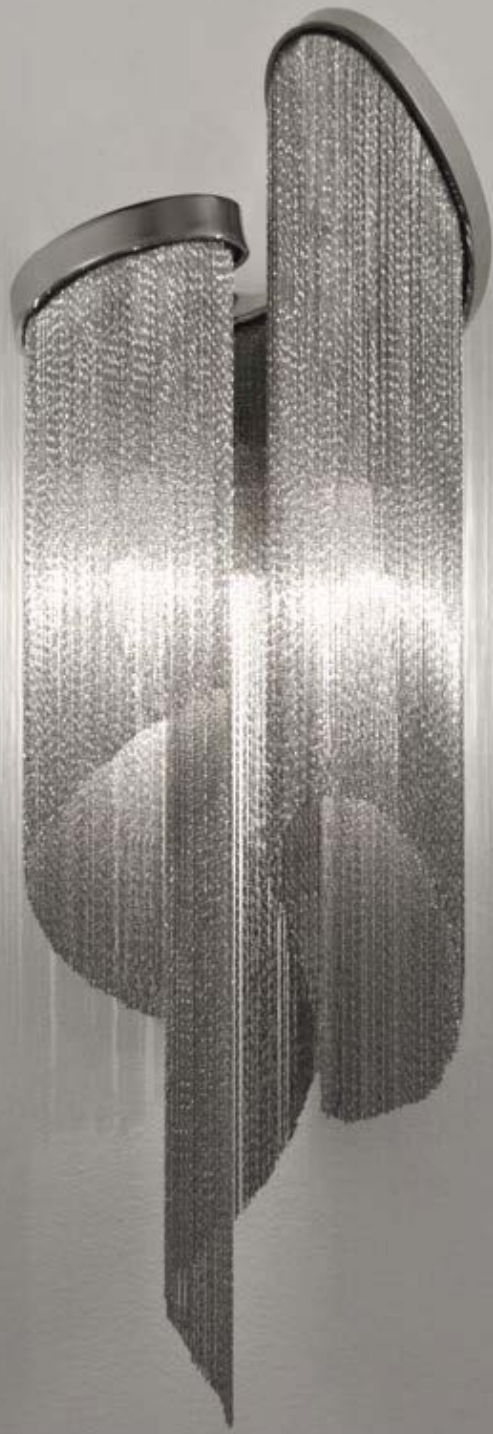
8x4W
6W



Dimmable with all systems |

2x5.5W

6x5.5W



Volver, Breath of new *Light.*

At Terzani, we are fortunate to work with some of the brightest young stars in Italian design. For Volver, designer Diego Bassetti and architect Andrea Panzieri of Studio 14, protégés of Bruno Rainaldi, applied their multidisciplinary approach to create Terzani's first LED suspension light. This geometric design combines thin nickel chains with the latest in LED technology to create a light that is both elegant and modern. A breath of new light, Volver melds technology and art to achieve a new level of luxury. Available in a circular variation. Design Studio 14.









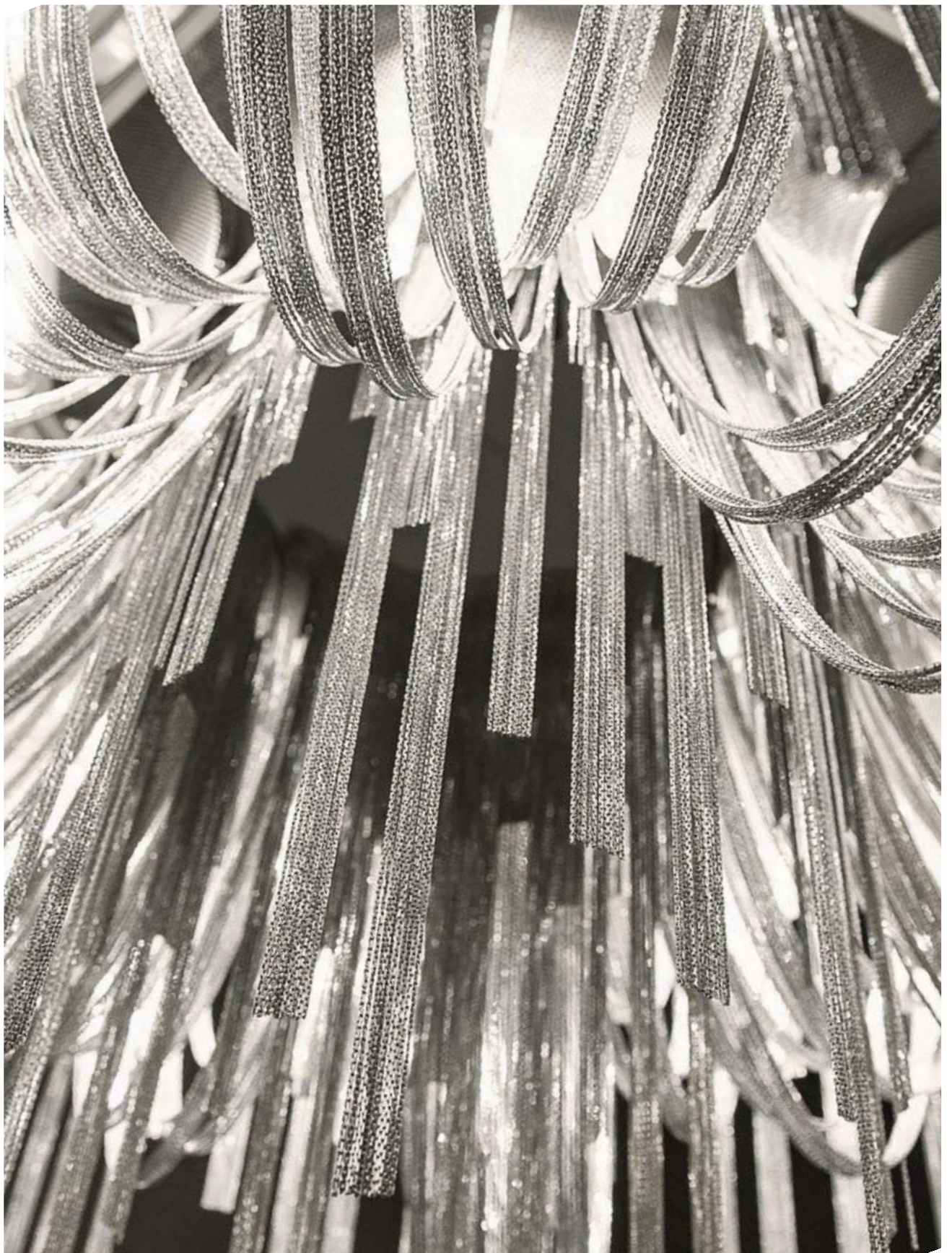




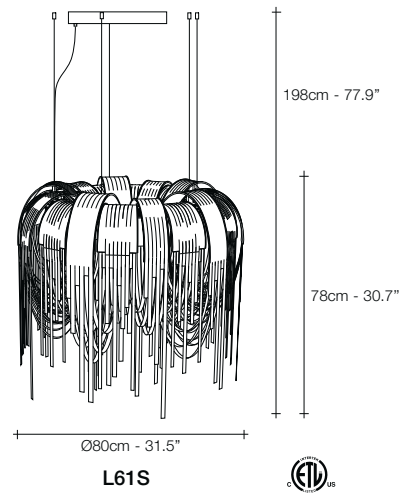
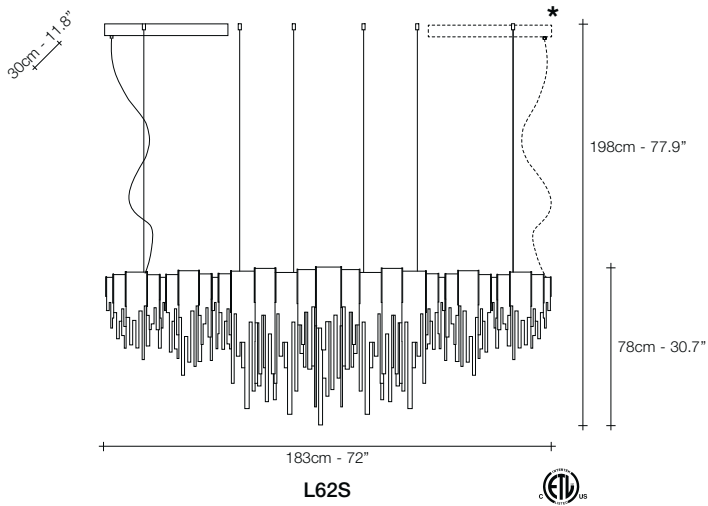
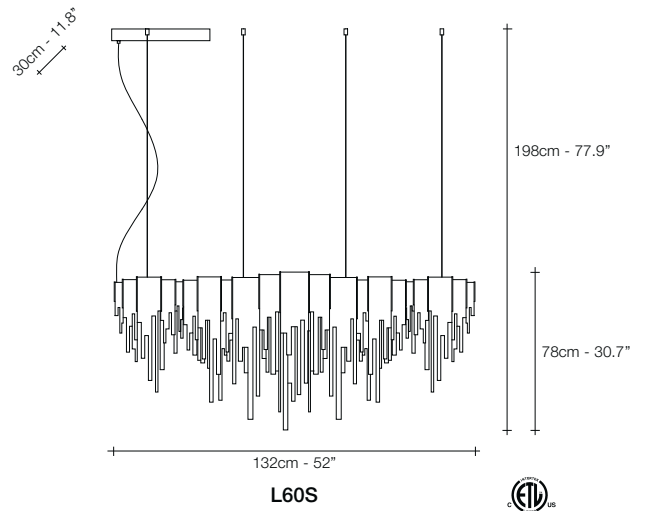
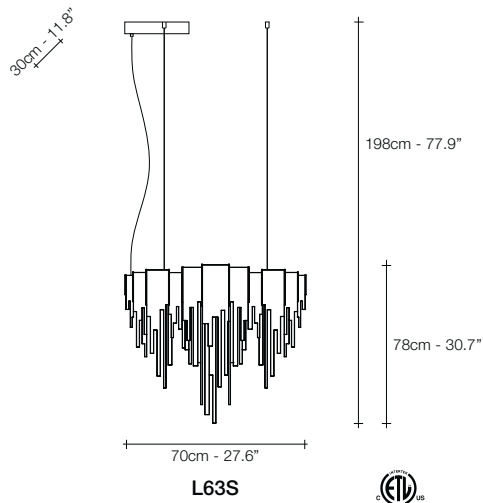












NICKEL



BLACK NICKEL



GOLD PLATED



BRONZE

		INTEGRATED LED	L63S	L60S	L62S	L61S
230V		LED BOARD	7x4.5W 4650lm	10x4.5W 6650lm	20x4.5W 13300lm	10x4.5W 6650lm
		Dimmer	1-10V PWM 10-100KΩ	0-10V PUSH/DALI	0-10V PUSH/DALI	0-10V PUSH/DALI
120V		LED BOARD	7x4.5W 4650lm	10x4.5W 6650lm	20x4.5W 13300lm	10x4.5W 6650lm
		Dimmer	1-10V PWM 10-100KΩ	0/1-10V	0/1-10V	0/1-10V

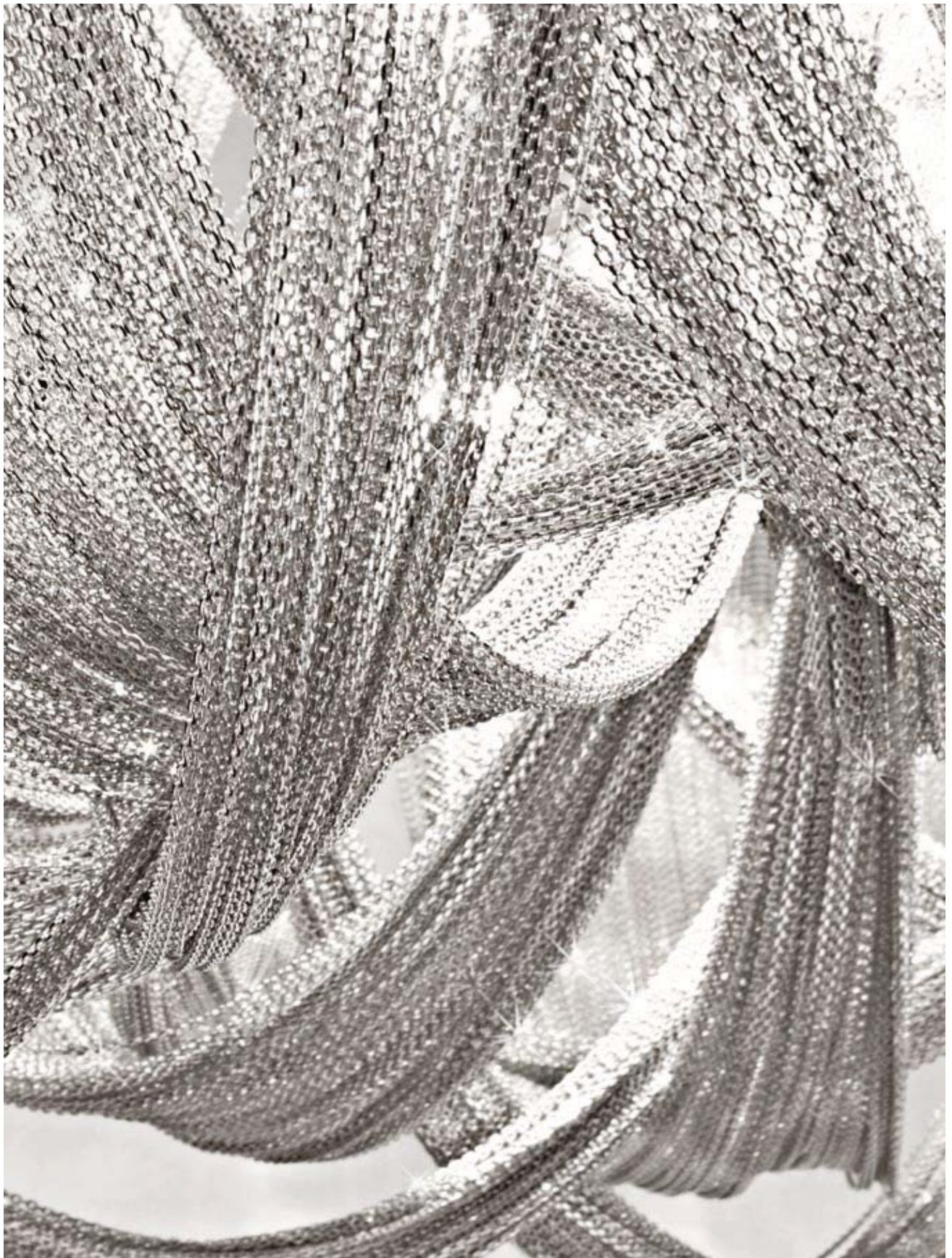
Volver can be manufactured to work with integrated LED 3000K or 2700K. Different dimming options on request.
 *120V version has two canopies.



Soscik, Classic form, *Modern look.*

Reinventing the classics. With Soscik, Terzani combines traditional, artisan techniques with cutting edge technology to give the traditional chandelier a modern update. Over the plated frame, Soscik creates a dramatic and romantic effect, while still being able to compliment today's modern luxury. Available as a chandelier or a ceiling lamp, Soscik proves that modern design does not have to sacrifice luxury. Design Nicolas Terzani.

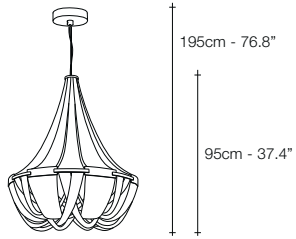










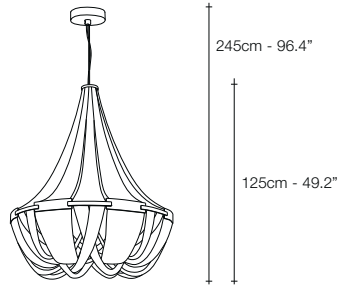


195cm - 76.8"

95cm - 37.4"

Ø72cm - 28.4"

G55S

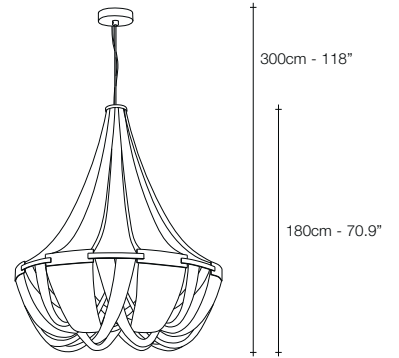


245cm - 96.4"

125cm - 49.2"

Ø100cm - 39.4"

G56S

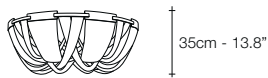


300cm - 118"

180cm - 70.9"

Ø145cm - 57.1"

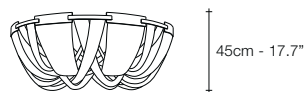
G57S



35cm - 13.8"

Ø72cm - 28.4"

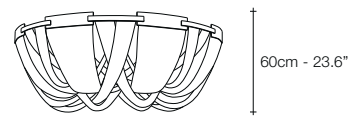
G60L



45cm - 17.7"

Ø100cm - 39.4"

G61L



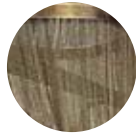
60cm - 23.6"

Ø145cm - 57.1"

G62L



NICKEL





BRONZE



GOLD PLATED



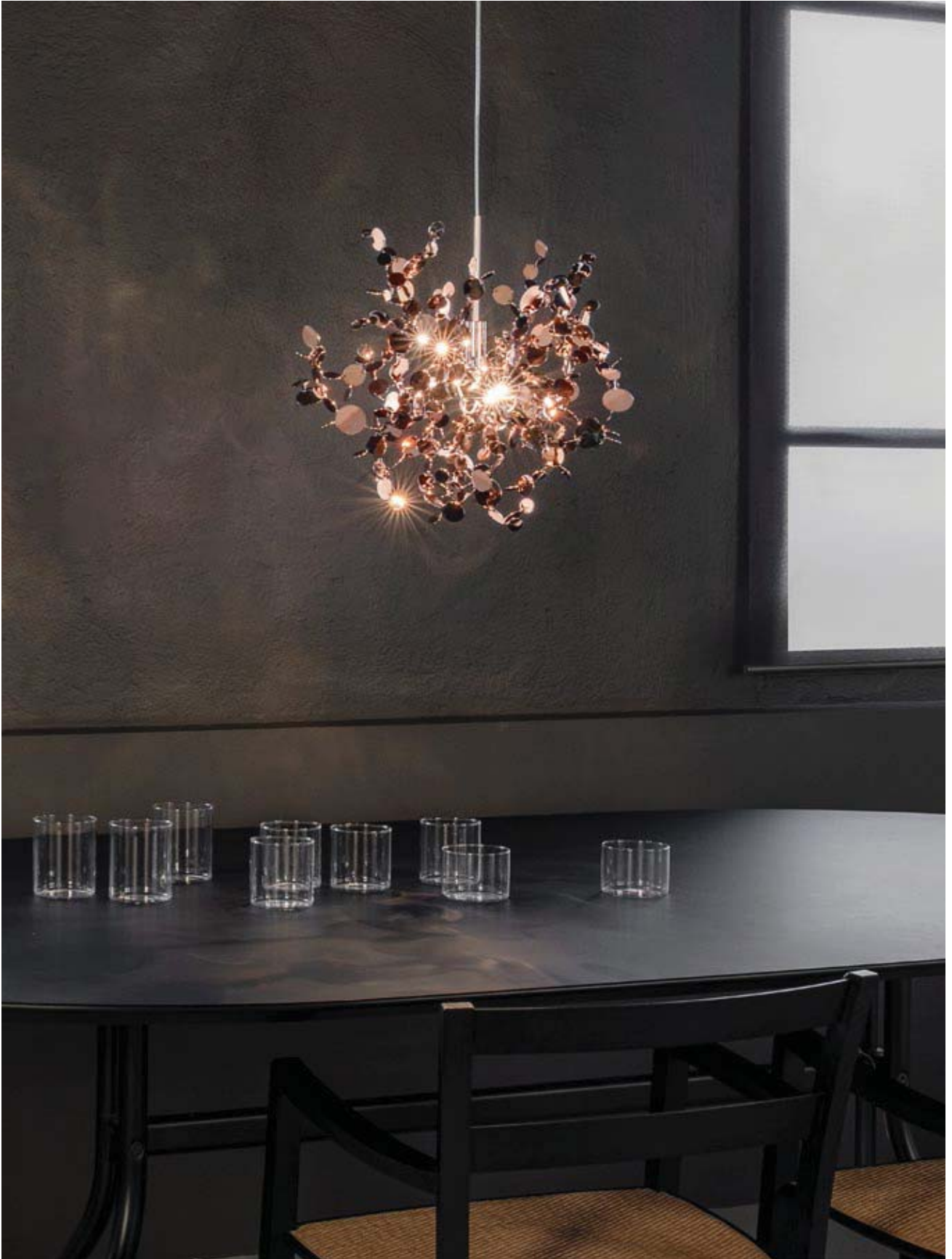
CHAMPAGNE

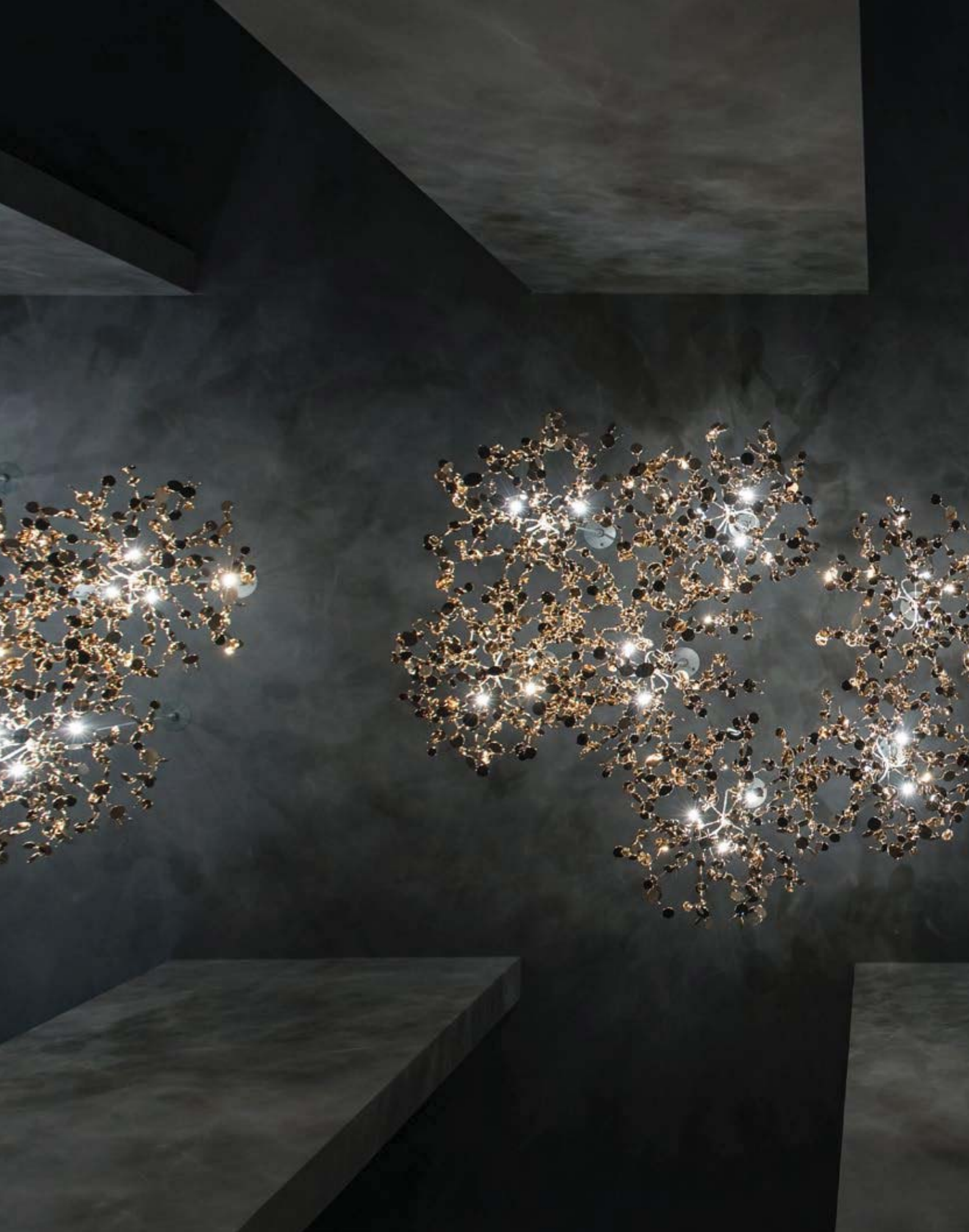
RECOMMENDED BULB	G55S	G56S	G57S	G60L	G61L	G62L
230V  G9 LED	8x3,5W	12x3,5W	14x3,5W	8x3,5W	10x3,5W	12x3,5W
Dimmable with all systems	-	-	-	-	-	-
120V  G9 LED	8x4W	12x4W	14x4W	8x4W	10x4W	12x4W
Dimmable with all systems	-	-	-	-	-	-

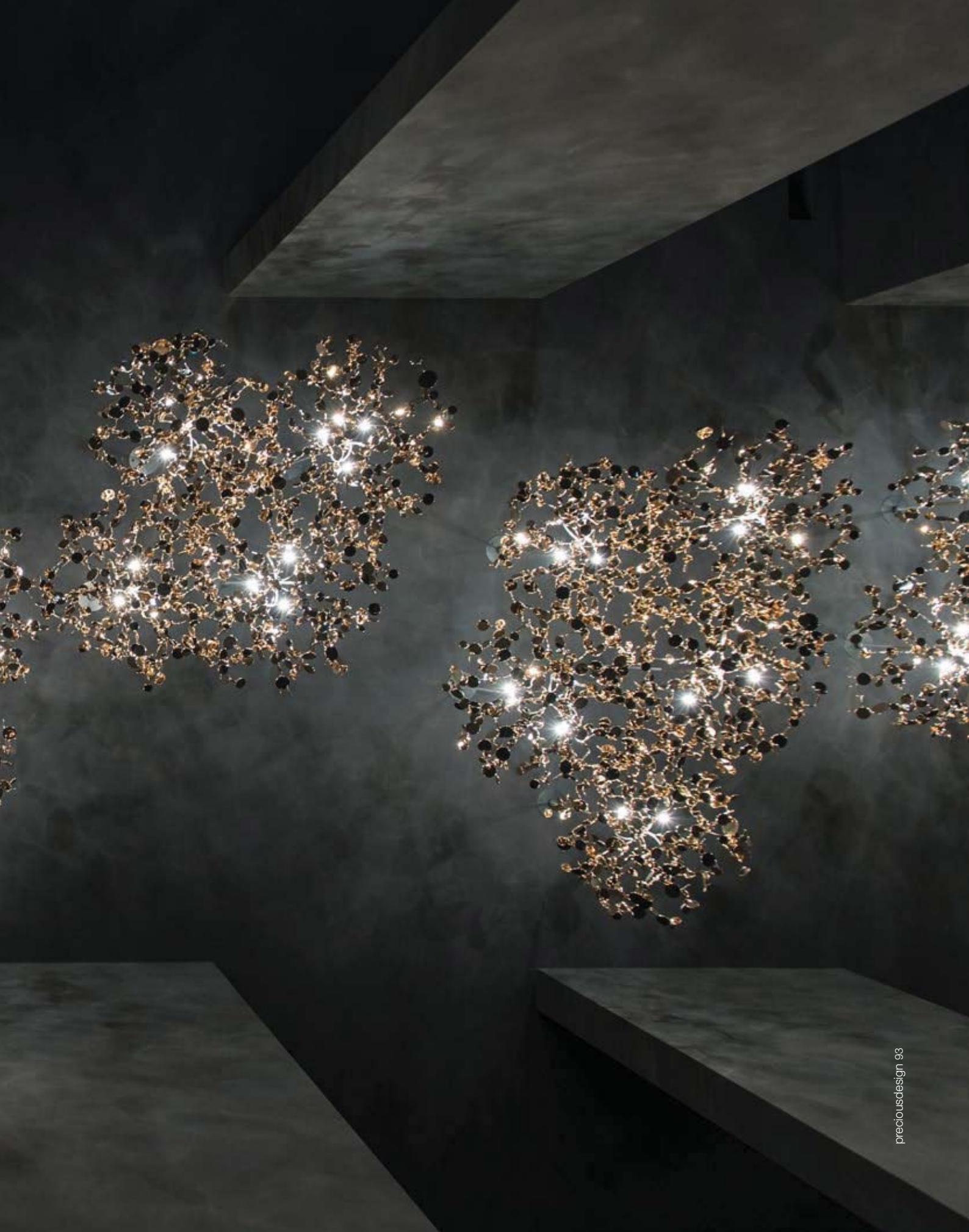


Argent, a precious *cloud.*

With this suspension light, designer Dodo Arslan creates a shimmering cloud. Argent consists of metal discs that have been meticulously shaped by hand by Terzani craftsmen into clusters. Once lit, the multiple, angled surfaces of the discs emanate a soft, shimmering glow. Argent is available in stainless steel, gold plated, rose gold and champagne finish. Black nickel is available on request. Design Dodo Arslan.

















































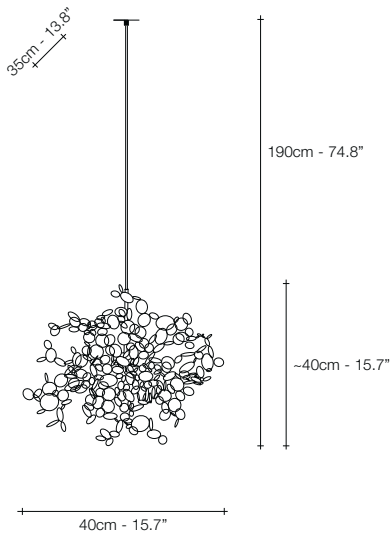




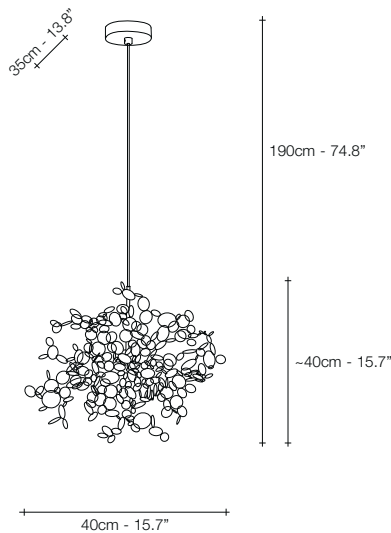




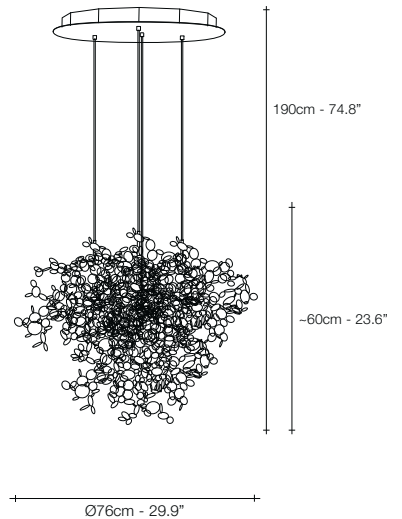




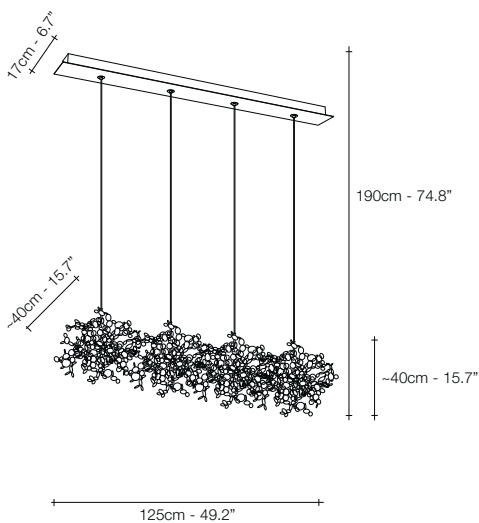
N90S KK
WHITE
DISC



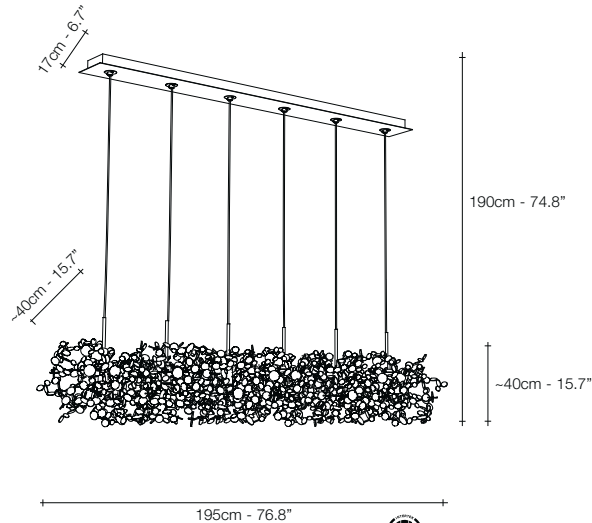
N90S



N91S



N92S



N89S



STAINLESS
STEEL



GOLD
PLATED





ROSE GOLD
PLATED



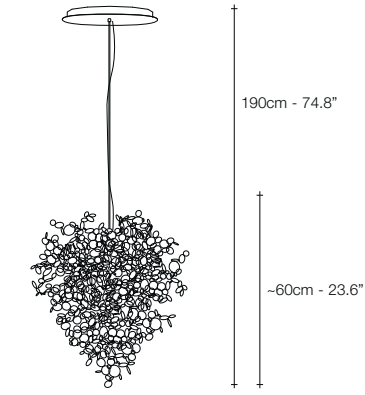
CHAMPAGNE



BLACK
NICKEL
(on request)

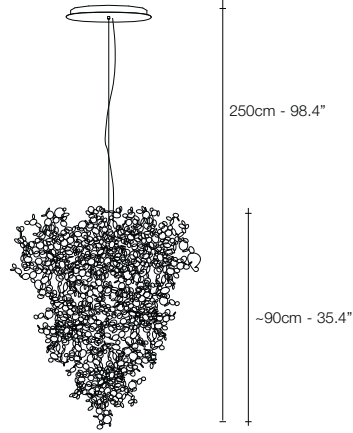
	RECOMMENDED BULB	N90S KK	N90S	N91S	N92S	N89S	N97A	N99L	N98B	INTEGRATED LED	N95S	N93S	N94S	
230V	G4 HALOGEN	3x20W	3x20W	12x20W	12x20W	18x20W	3x20W	3x20W	-	230V 	LED	6x2.1W	12x2.1W	18x2.1W
	G4 LED	3x2W	3x2W	12x2W	12x2W	18x2W	3x2W	3x2W	3x2W			1640lm	3285lm	4930lm
	Dimmer	IGBT 0/1-10V 10-100kΩ PUSH/DALI	IGBT TRIAC DALI	IGBT 0/1-10V 10V PWM 10-100kΩ PUSH/DALI	IGBT 0/1-10V 10V PWM 10-100kΩ PUSH/DALI	IGBT 0/1-10V 10V PWM 10-100kΩ PUSH/DALI	IGBT TRIAC DALI	IGBT TRIAC DALI	no		IGBT PUSH/DALI	1-10V PUSH/DALI	PUSH/DALI	
120V	G4 XENON	3x20W	3x20W	12x20W	12x20W	18x20W	3x20W	3x20W	-	120V 	LED	6x2.1W	12x2.1W	18x2.1W
	G4 LED	3x2W	3x2W	12x2W	12x2W	18x2W	3x2W	3x2W	-			1640lm	3290lm	4930lm
	Dimmer	IGBT TRIAC	IGBT TRIAC	IGBT TRIAC	IGBT TRIAC	IGBT TRIAC	IGBT TRIAC	IGBT TRIAC	-		IGBT PUSH	0/1-10V PUSH/DALI	0/1-10V PUSH	

Argent N93S, N94S, N95S can be manufactured to work with integrated LED 3000K or 2700K. Different dimming options on request.



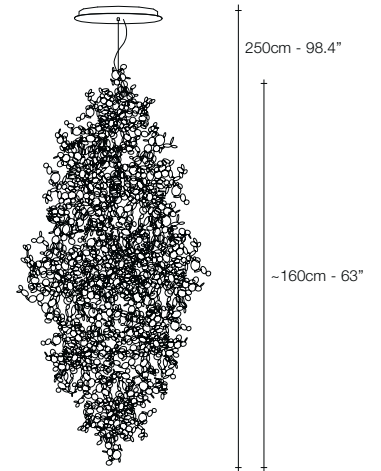
Ø60cm - 23.6"

N95S



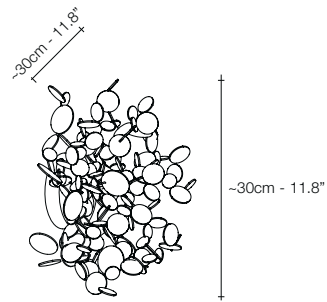
Ø70cm - 27.6"

N93S



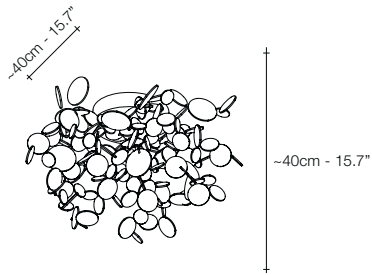
Ø60cm - 23.6"

N94S



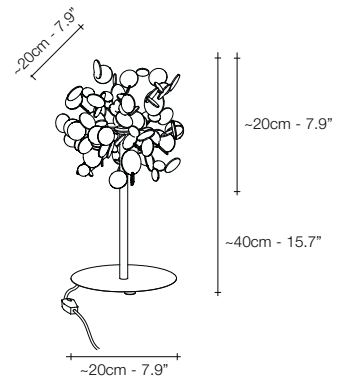
~20cm - 7.9"

N97A



~40cm - 15.7"

N99L



~20cm - 7.9"

N98B

N/A in North America

Mizu, flowing *light.*

Inspired by the tranquil and mesmerizing light refractions created by water, Mizu is a customizable pendant light from Terzani. Like water droplets, no two Mizu are alike, each crystal shape is unique and made meticulously by hand. Using only the clearest crystal, Mizu perfectly emulates water's refraction of light, casting amazing patterns around the room, reminiscent of flowing water. Available in clear, silver dust, gold, cognac and champagne finish. Design Nicolas Terzani.





















































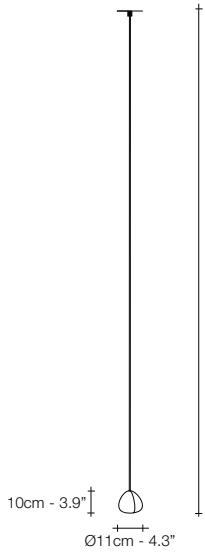




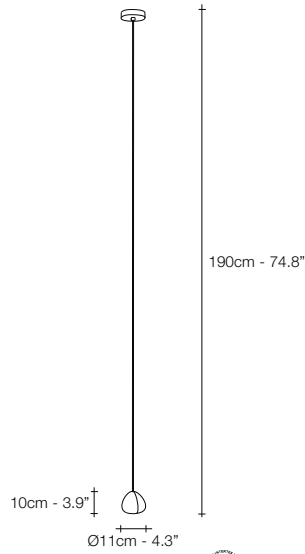




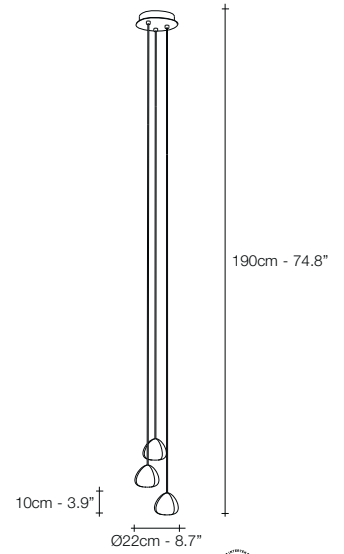




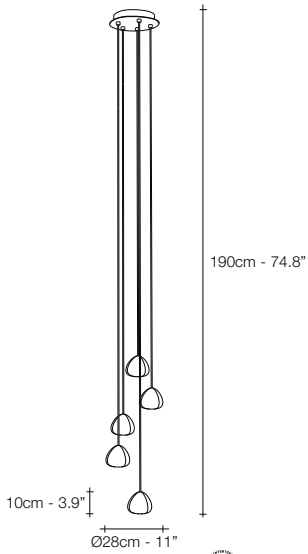
R01S KK



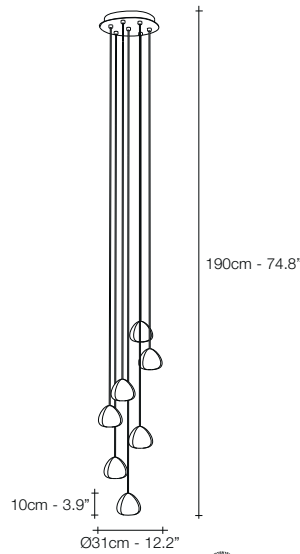
R01S



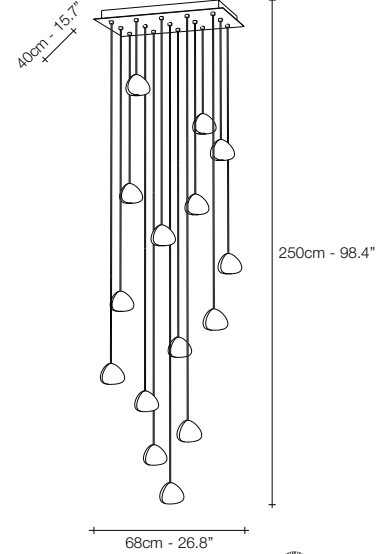
R03S



R05S



R07S



R15SR



CRYSTAL



CHAMPAGNE
CRYSTAL



COGNAC
CRYSTAL



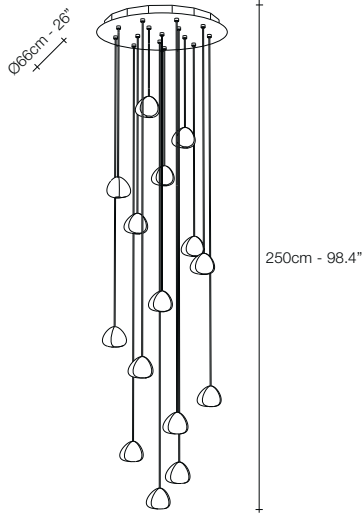
SILVER
DUST
CRYSTAL



GOLD
CRYSTAL

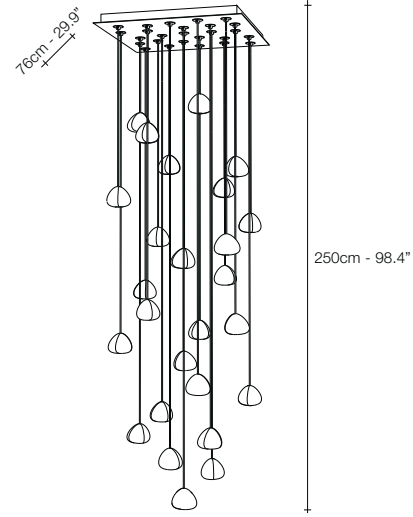
	LIGHT SOURCES	R01S KK	R01S	R03S	R05S	R07S	R15SR	R15ST	R26SQ	R26ST
230V	G4 HALOGEN	10W	10W	3x10W	5x10W	7x10W	15x10W	15x10W	26x10W	26x10W
	G4 LED	2W	2W	3x2W	5x2W	7x2W	15x2W	15x2W	26x2W	26x2W
	INTEGRATED LED	1,5W	1,5W	3x1,5W	5x1,5W	7x1,5W	15x1,5W	15x1,5W	26x1,5W	26x1,5W
	Dimmer	IGBT 10-100kΩ 0/1-10V PUSH/DALI	IGBT TRIAC DALI	IGBT 1-10V 10V PWM PUSH/DALI	IGBT 0/1-10V 10V PWM PUSH/DALI	IGBT 0/1-10V PWM PUSH/DALI	IGBT 0/1-10V PWM PUSH/DALI	IGBT 0/1-10V PWM PUSH/DALI	IGBT 0/1-10V PWM PUSH/DALI	IGBT 0/1-10V PWM PUSH/DALI
120V	G4 XENON	10W	10W	3x10W	5x10W	7x10W	15x10W	15x10W	26x10W	26x10W
	G4 LED	2W	2W	3x2W	5x2W	7x2W	15x2W	15x2W	26x2W	26x2W
	Dimmer	IGBT TRIAC	IGBT TRIAC	IGBT TRIAC	IGBT TRIAC	IGBT TRIAC	IGBT TRIAC	IGBT TRIAC	IGBT TRIAC	IGBT TRIAC

Mizu can be manufactured to work with integrated LED 3000K or 2700K (not ETL). Different dimming options on request



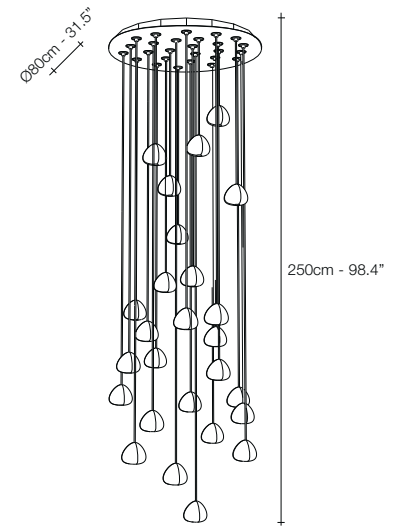
Ø66cm - 26"

R15ST



76cm - 29.9"

R26SQ



Ø80cm - 31.5"

R26ST



Manta, Shimmering *Waves.*

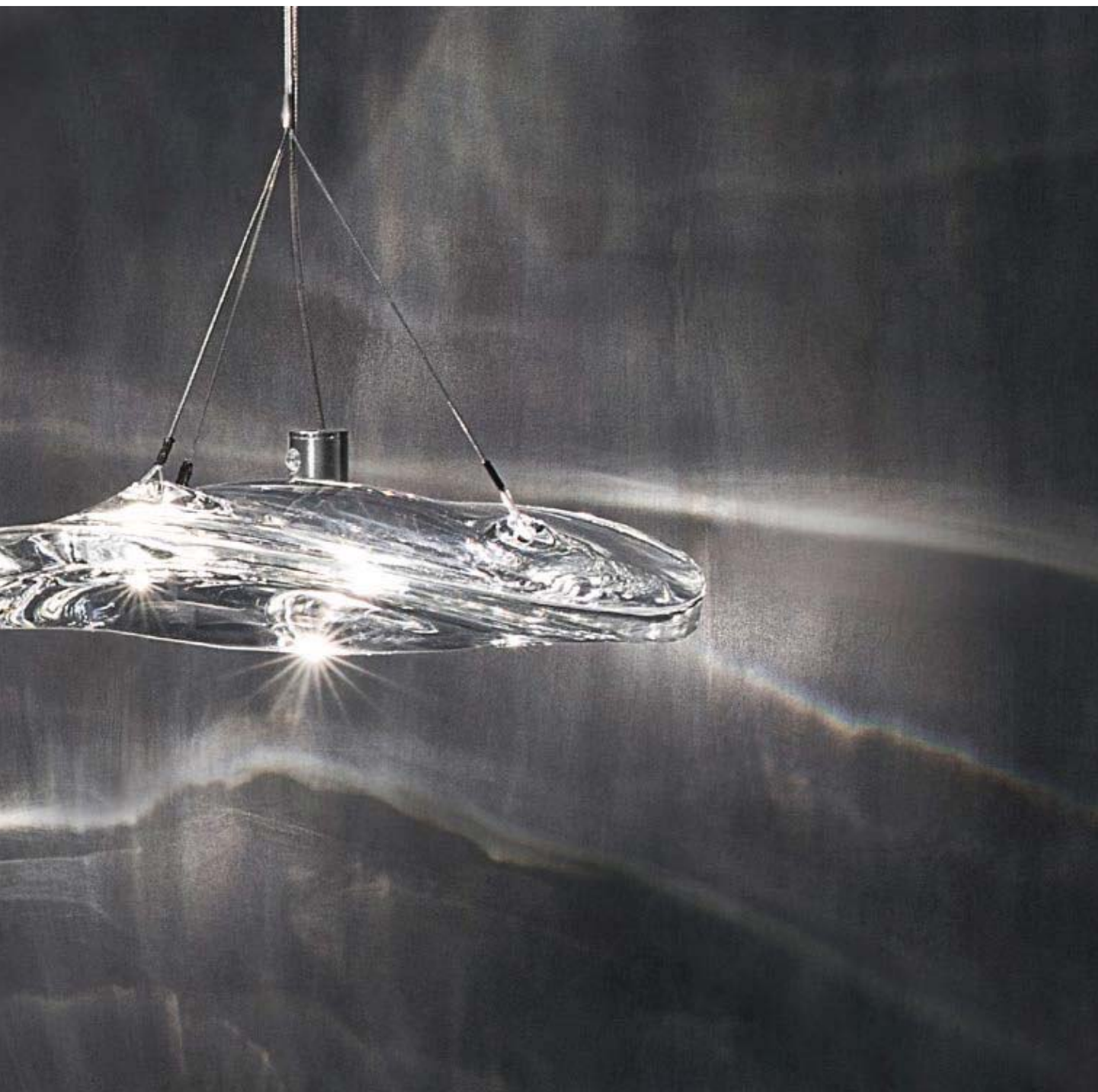
Manta is the latest design featuring the distinctive crystal first unveiled in Nicolas Terzani's best-selling Mizu. Collaborating with designer Dodo Arslan, the two imaginative minds created a light featuring sinuous, undulating lines. The results are soft waves of crystal light reminiscent of being underwater. The innovative Manta is made of crystal, with a dimmable integrated LED lamp focused on maximizing the crystal's reflection. Manta's organic form is available in two sizes and can be installed in numerous, customizable arrangements. Design Dodo Arslan & Nicolas Terzani.









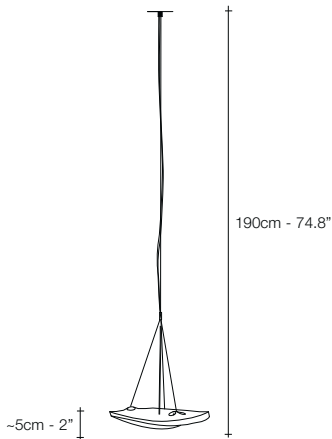




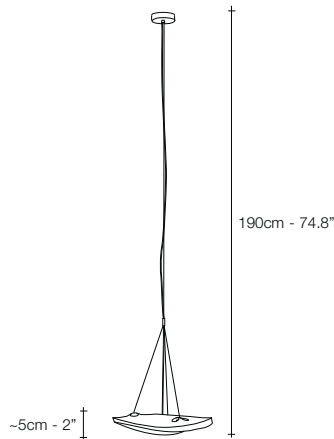




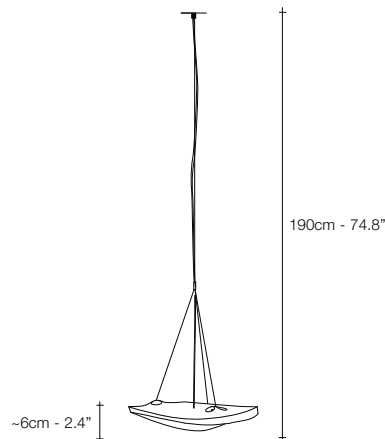




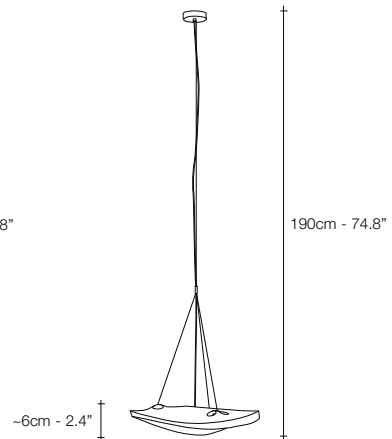
K011 KK



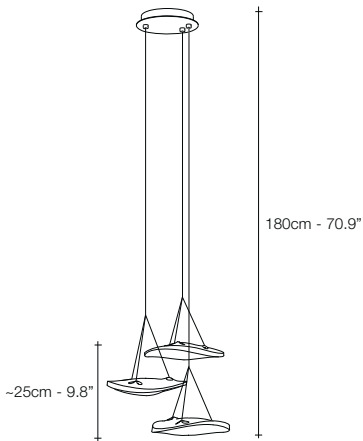
K011



K012 KK



K012



K031



CLEAR CRYSTAL

	INTEGRATED LED	K011 KK	K011	K012 KK	K012	K031
230V		1.5W 105lm	1.5W 105lm	1.5W 105lm	1.5W 105lm	3x1.5W 315lm
	Dimmer	0/1-10V PUSH/DALI	PUSH/DALI	1-10V PUSH/DALI	PUSH/DALI	1-10V PUSH/DALI
120V		1.5W 105lm	1.5W 105lm	1.5W 105lm	1.5W 105lm	3x1.5W 315lm
	Dimmer	1-10V PUSH/DALI	no	1-10V PUSH/DALI	no	1-10V PUSH

Manta can be manufactured to work with integrated LED 3000K or 2700K. Different dimming options on request.



Gaia, earth *mother.*

In Greek mythology, Gaia is the personification of the Earth and the mother of all life. Looking to capture the mythical and natural beauty of this Earth goddess, designer Jean-François Crochet has created the Gaia pendant light. Consisting of geometric frames of brass or raw metal reminiscent of the mountains Gaia created, the pendant uses led light to push light through the “cracks” formed. The resulting light creates a magical feeling, as if the lights peaking through were alive themselves. Available to custom configurations, Gaia adds a vibrancy and sacred light to any space. Design Jean-François Crochet.













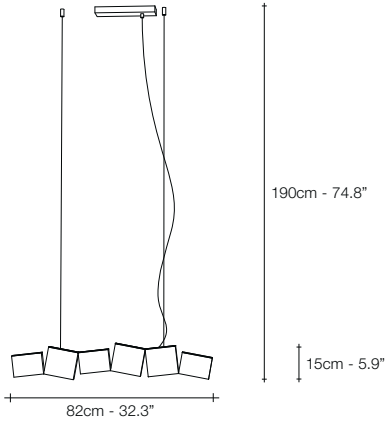




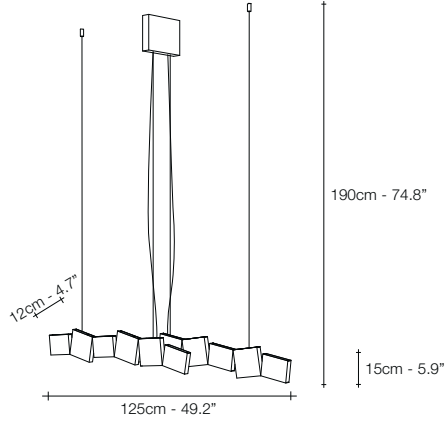








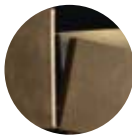
G41S



G40S



RAW METAL



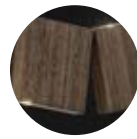
BRASS





NICKEL



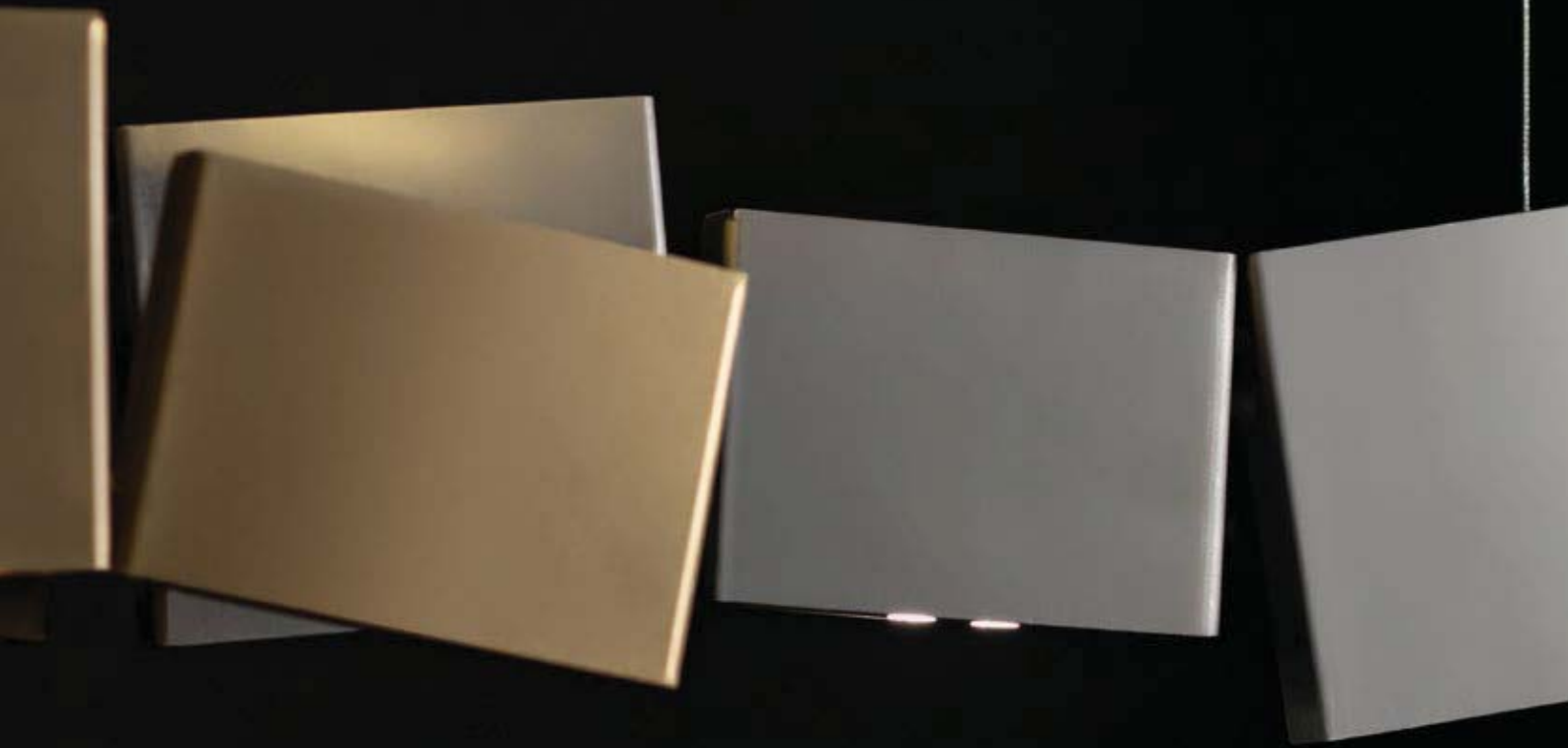
GOLD PLATED



MATT WOOD

	INTEGRATED LED	G41S	G40S
230V		12x1.5W 2160lm	24x1.5W 4320lm
	Dimmer	1-10V PUSH/DALI	0/1-10V PUSH/DALI
120V		12x1.5W 2160lm	24x1.5W 4320lm
	Dimmer	1-10V PUSH	0/1-10V PUSH/DALI

Gaia can be manufactured to work with integrated LED 3000K or 2700K. Different dimming options on request



Pug, multum *in parvo.*

Pug is a dog described as “much in little”, referring to the greatness of his personalities despite his diminutive size. Inspired by the Pug’s charm, designer Jean-François Crochet created the Pug pendant light whose protruding spherical lights are reminiscent of a pug’s face. As with the breed, the Pug pendant packs significant charm and beauty into a small package. Illuminated by LED light, these glass pendants are framed by two brass bands. With Pug, it’s easy to bring a new best friend (or pack of friends) into a home. Available in clear/raw brass and satin white/polished brass. Design Jean-François Crochet.









190cm - 74.8"

Ø10cm - 3.9"

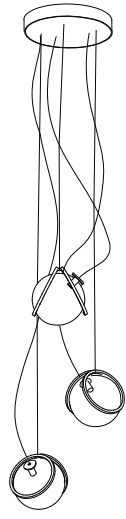
U01S KK



190cm - 74.8"

Ø10cm - 3.9"

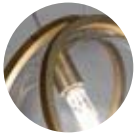
U01S



190cm - 74.8"

Ø25cm - 9.8"





U03S



RAW BRASS
CLEAR GLASS



POLISHED BRASS
SATIN WHITE
GLASS

	RECOMMENDED BULB	U01S KK	U01S	U03S
230V	 G4 LED 3000K	1,5W	1,5W 3W	3x1,5W
	Dimmer  IGBT 10-100kΩ 0/1-10V PUSH/DALI	IGBT 10-100kΩ 0/1-10V PUSH/DALI	DALI	IGBT DALI
120V	 G4 LED	1.5W	1.5W	3x1.5W
	Dimmer  IGBT TRIAC	IGBT TRIAC	no	IGBT TRIAC

Different dimming options on request



Abacus, multiplying *luminescence.*

Used for centuries as the tool to both teach and communicate mathematics, the abacus was found in one form or another across the ancient world. At Terzani, we saw the beauty in the abacus' mathematical purity and clean, functional design. In the hands of Terzani's craftsmen, we've turned this inspiration into a new collection of modular pendant lamps whose flexibility allows for complex and beautiful configurations. Each module, or strand, of Abacus contains a custom set of round, hand-blown opal glass which emit a soft and uniform light. And, as the original abacus was used to calculate everything from simple addition to complex formulas, we've retained the same scalability. Due to its customization, our Abacus light is just as suitable in a home as a commercial space, and its almost infinite configurations makes sure you always come up with the right solution. Design Draw.

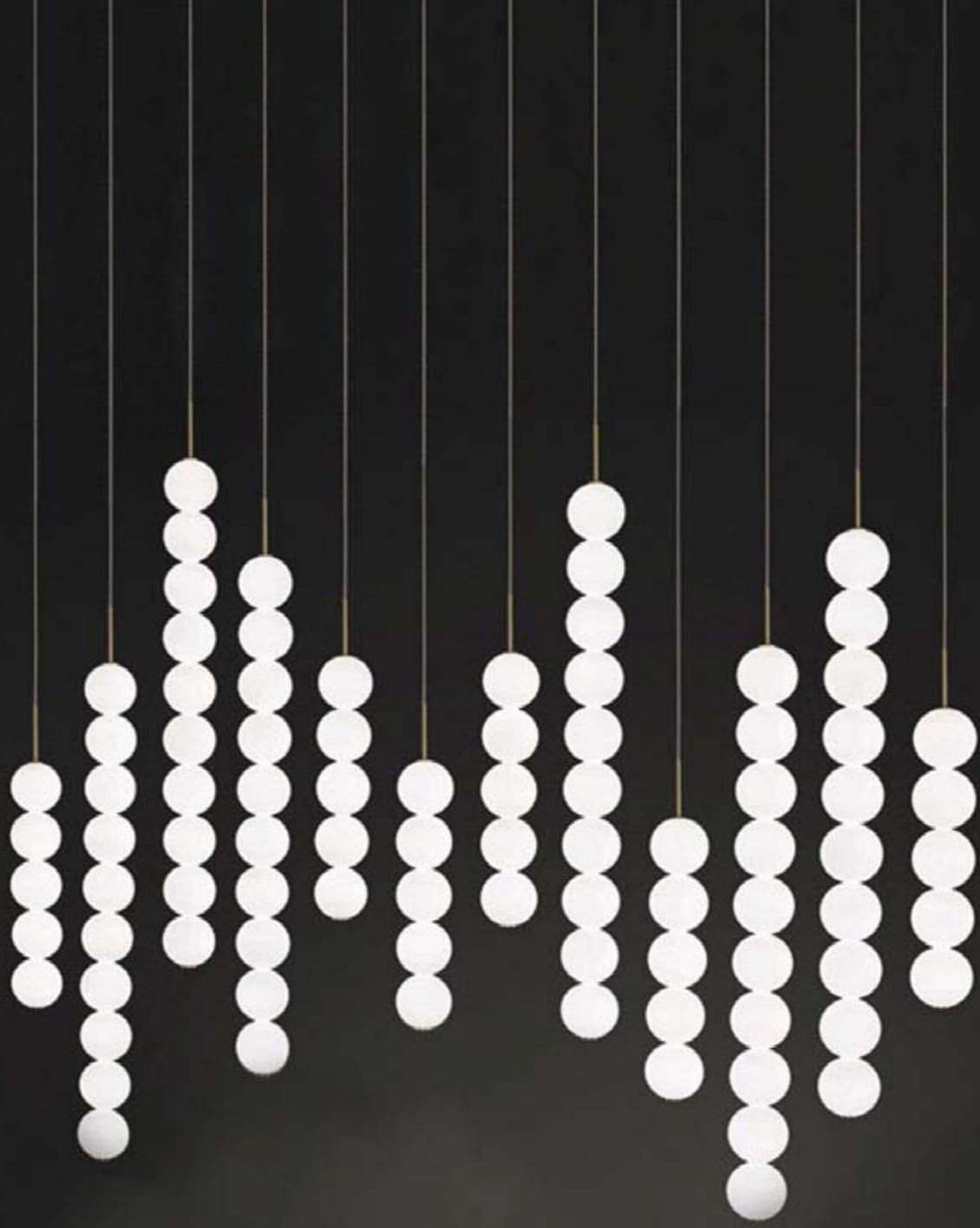




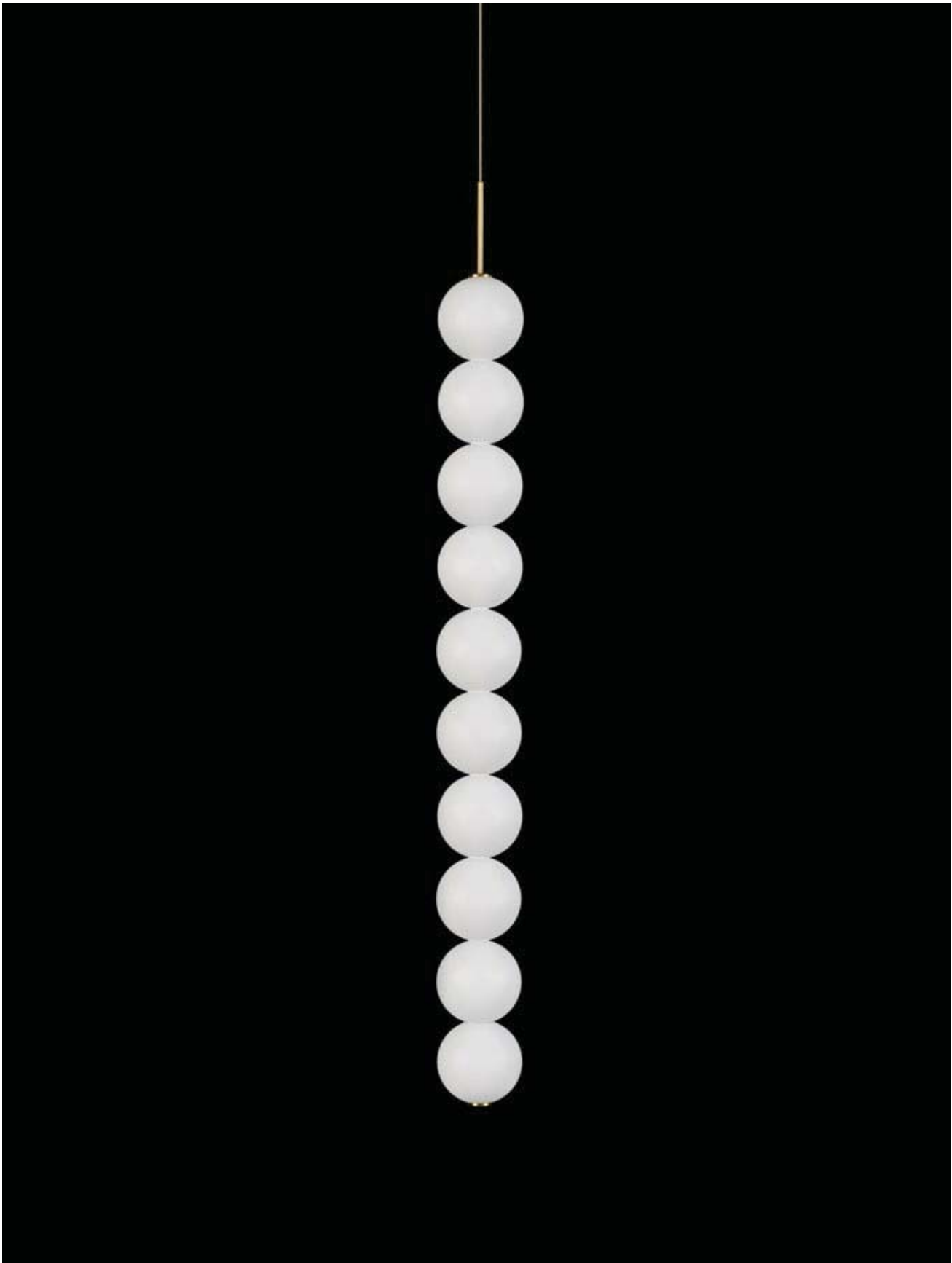




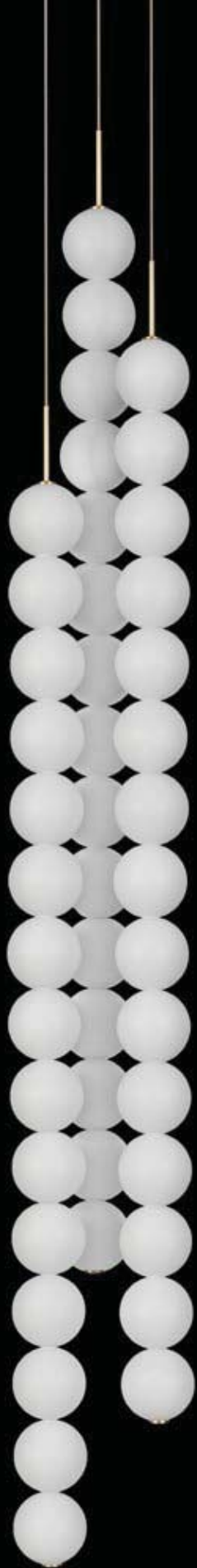




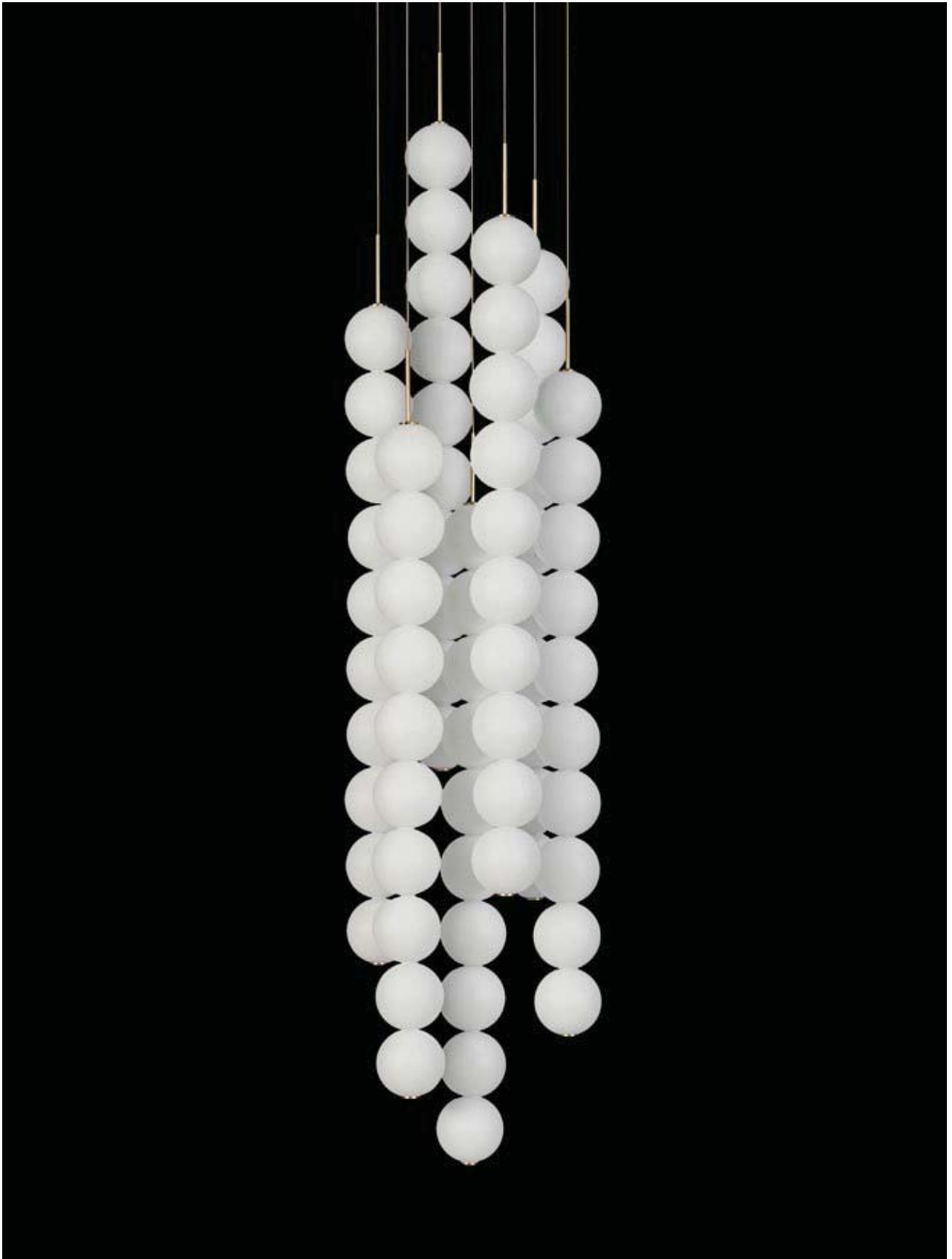


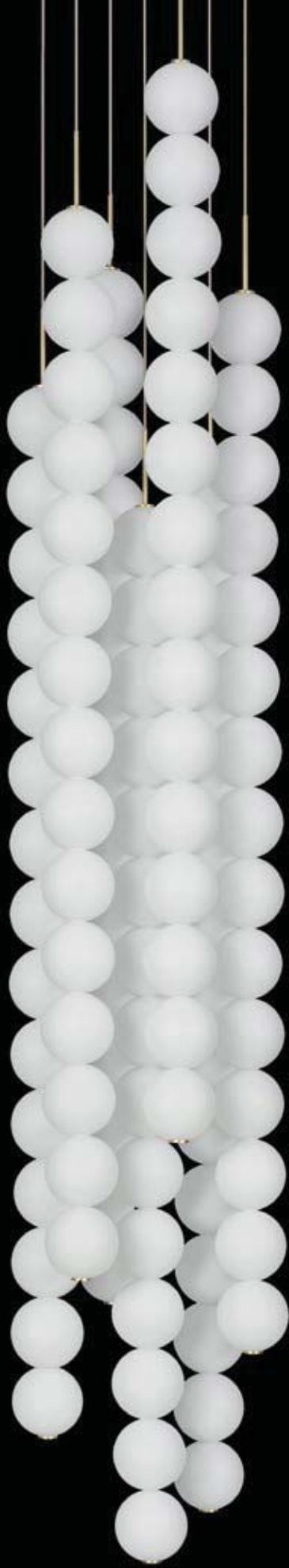










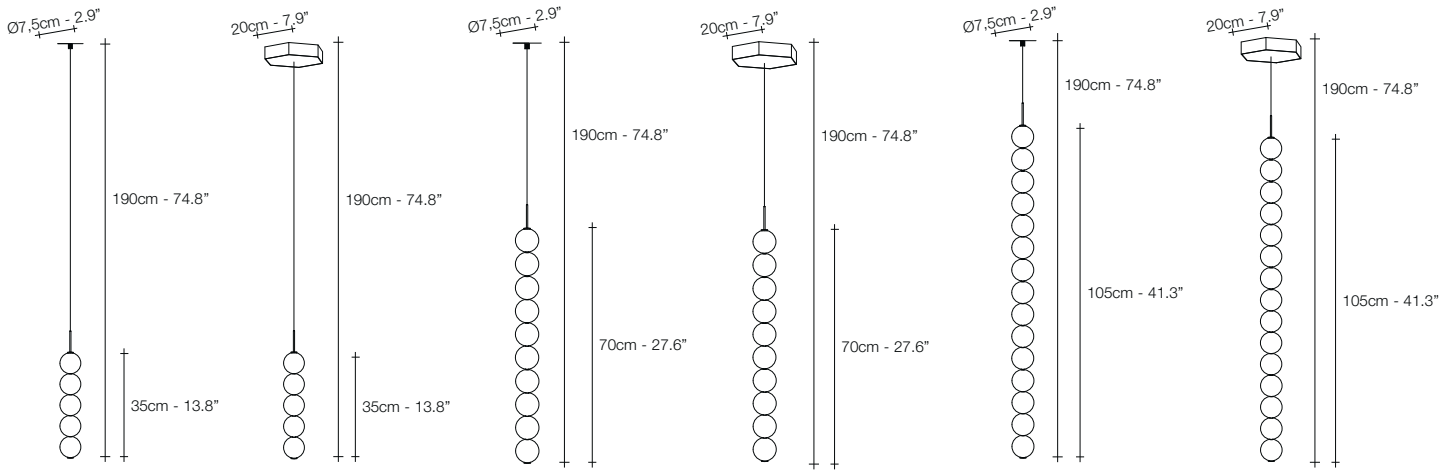




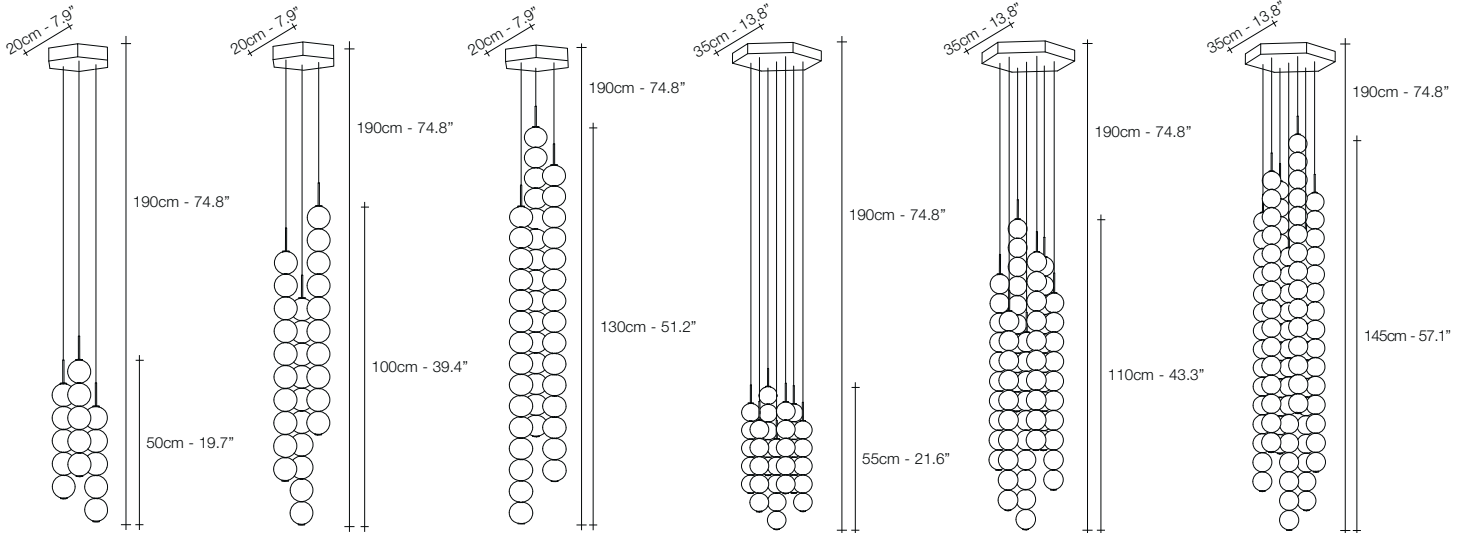








V01S 15KK 5 spheres
V01S P15 5 spheres
V01S 1AKK 10 spheres
V01S P1A 10 spheres
V01S 1FKK 15 spheres
V01S P1F 15 spheres



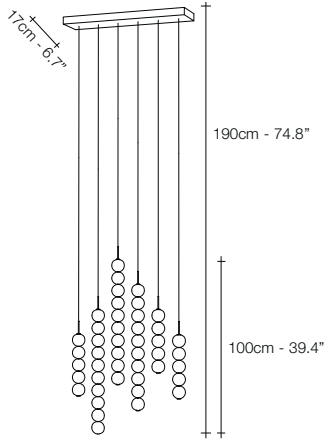
V03S P1F 3x5 spheres
V03S P1V 3x10 spheres
V03S P2B 3x15 spheres
V07S P21 7x5 spheres
V07S P32 7x10 spheres
V07S P43 7x15 spheres



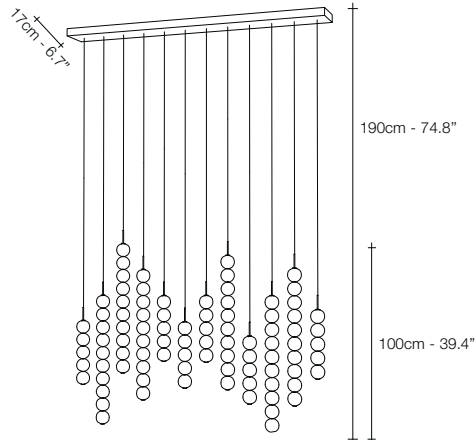
BRASS
SATIN WHITE
GLASS

	INTEGRATED LED	V01S 15KK	V01S P15	V01S 1AKK	V01S P1A	V01S 1FKK	V01S P1F	V03S P1F	V03S P1V	V03S P2B	V07S P21	V07S P32	V07S P43
230V	LED BOARD 3000K	3,6W 540lm	3,6W 540lm	7,2W 1080lm	7,2W 1080lm	10,8W 1620lm	10,8W 1620lm	3 x 3,6W 1620lm	3 x 7,2W 3240lm	3x10,8W 4860lm	7 x 3,6W 3780lm	7 x 7,2W 7560lm	7 x 10,8W 11340lm
	Dimmer	0/1-10V PWM 10-100kΩ PUSH/DALI	0/1-10V PWM 10-100kΩ PUSH/DALI	0/1-10V PWM 10-100kΩ PUSH/DALI	0/1-10V PWM 10-100kΩ PUSH/DALI	0/1-10V PWM 10-100kΩ PUSH/DALI	0/1-10V PWM 10-100kΩ PUSH/DALI	0/1-10V PWM 10-100kΩ PUSH/DALI	0/1-10V PWM 10-100kΩ PUSH/DALI	0/1-10V PWM 10-100kΩ PUSH/DALI	0/1-10V PWM 10-100kΩ PUSH/DALI	0/1-10V PWM 10-100kΩ PUSH/DALI	0/1-10V PWM 10-100kΩ PUSH/DALI
120V	LED BOARD 3000K	3,6W 540lm	3,6W 540lm	7,2W 1080lm	7,2W 1080lm	10,8W 1620lm	10,8W 1620lm	3 x 3,6W 1620lm	3 x 7,2W 3240lm	3 x 10,8W 4860lm	7 x 3,6W 3780lm	7 x 7,2W 7560lm	7 x 10,8W 11340lm
	Dimmer	0-10V PWM	0-10V PWM	0-10V PWM	0-10V PWM	0-10V PWM	0-10V PWM	0-10V PWM	0-10V PWM	0-10V PWM	0-10V PWM	0-10V PWM	0-10V PWM

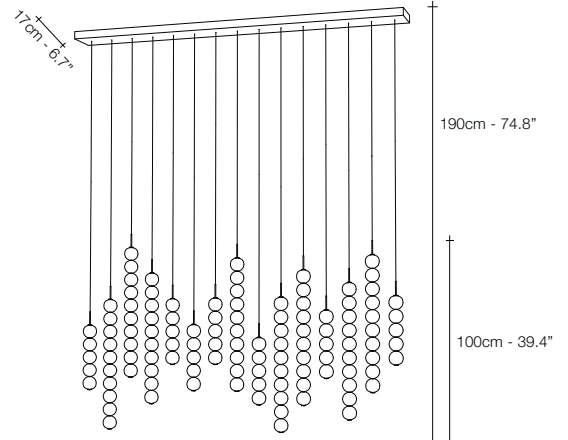
Different dimming options on request



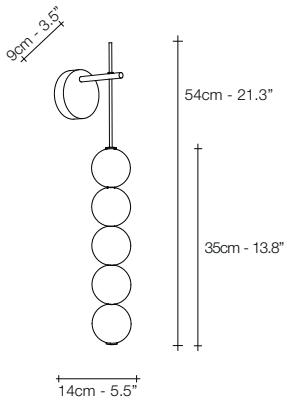
70cm - 27.6"
V06S R2B
 3x5 - 3x10 spheres



140cm - 55.1"
V12S R3M
 6x5 - 6x10 spheres



175cm - 68.9"
V15S R4D
 7x5 - 8x10 spheres



V01A 15
 5 spheres
 N/A in North America

	INTEGRATED LED	V06S R2B	V12S R3M	V15S R4D	V01A 15
230V	LED BOARD	3 x 3,6W	6 x 3,6W	7 x 3,6W	3,6W
	3000K	3 x 7,2W	6 x 7,2W	8 x 7,2W	540lm
120V	LED BOARD	3 x 3,6W	6 x 3,6W	7 x 3,6W	-
	3000K	3 x 7,2W	6 x 7,2W	8 x 7,2W	-
	Dimmer	4860lm	9720lm	12420lm	
		0/1-10V	0/1-10V	0/1-10V	
		PWM	PWM	PWM	
		10-100KΩ	10-100KΩ	10-100KΩ	
		PUSH/DALI	PUSH/DALI	PUSH/DALI	
		0-10V	0-10V	0-10V	
		PWM	PWM	PWM	

Different dimming options on request

Oscar, *a tribute.*

The great Brazilian architect Oscar Niemeyer once said about his work: "It's not the right angle that attracts me, nor the straight line. Stiff, inflexible, created by men. What really attracts me is the free, sensual curve. The curve I see on the sinuous course of our rivers, on the clouds in the sky, on your favorite woman's body. The universe is entirely made of curves". Inspired to pay tribute to one of the founders of modern architecture, designer Dodo Arslan has created a series of lights named "Oscar", which pay homage through their adoption of Niemeyer's signature sensuous curves. Oscar table lamp consists of a glass orb delicately held by curved brass. Available in nickel, brass, black, white, gold plated and rose gold finish. Design Dodo Arslan.





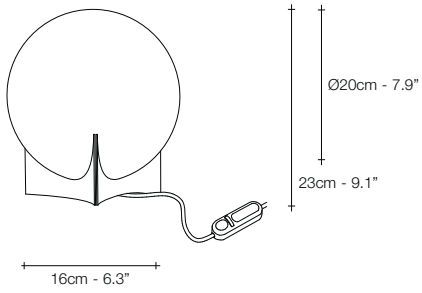












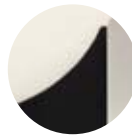
C02B



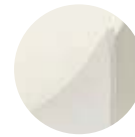
NICKEL
SATIN WHITE
GLASS



BRASS
SATIN WHITE
GLASS



BLACK
SATIN WHITE
GLASS



WHITE
SATIN WHITE
GLASS



GOLD PLATED
SATIN WHITE
GLASS



ROSE GOLD PLATED
SATIN WHITE GLASS

RECOMMENDED BULB

C02B

230V



E14 LED

7W

Dimmer | integrated

120V



E12 LED

7W

Dimmer | integrated



Moiré, movement *with pattern.*

A French term derived from silk with a rippled or “watered” appearance, moiré is an optical effect that results in the illusion of waves or the movement of water. This effect is achieved by having an opaque, ruled pattern overlaid over another. Designer Christian Lava’s studies of this effect have led to his latest design aptly titled, Moiré. Using overlapping grids of metal, this LED pendant light dynamically changes shape following the viewer’s gaze, practically coming to life with a vibrating energy. Moiré is a mesmerizing addition to any room. Available in gold plated and nickel finish. Design Christian Lava.





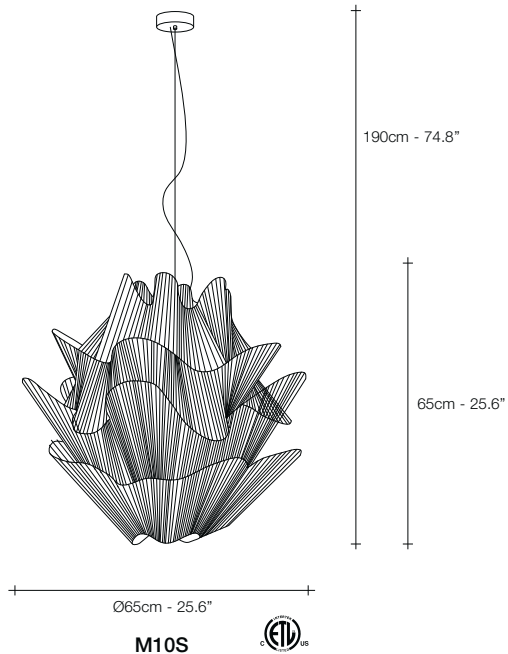














NICKEL



GOLD PLATED

INTEGRATED LED		M10S	
230V		COB LED 3000K	15W 1950lm
		Dimmer	1-10V PUSH/DALI
120V		COB LED 3000K	15W 1950lm
		Dimmer	1-10V PUSH/DALI

Different dimming options on request



Doodle, Freehand *Design.*

We no longer march in a straight line. Our lives are dynamic, intertwining collections of relationships, experiences and journeys. Reflecting the fluidity of our generation, designer Simone Micheli has created a new, contemporary light for Terzani, Doodle. Like us, each Doodle is unique, each pendant is handcrafted by artisans to resemble a randomised path. And, to give us control over the journey we want to take, each LED bulb can be placed anywhere on the light, not only reflecting the choices we make in life, but giving Doodle a special flexibility. Design Simone Micheli.













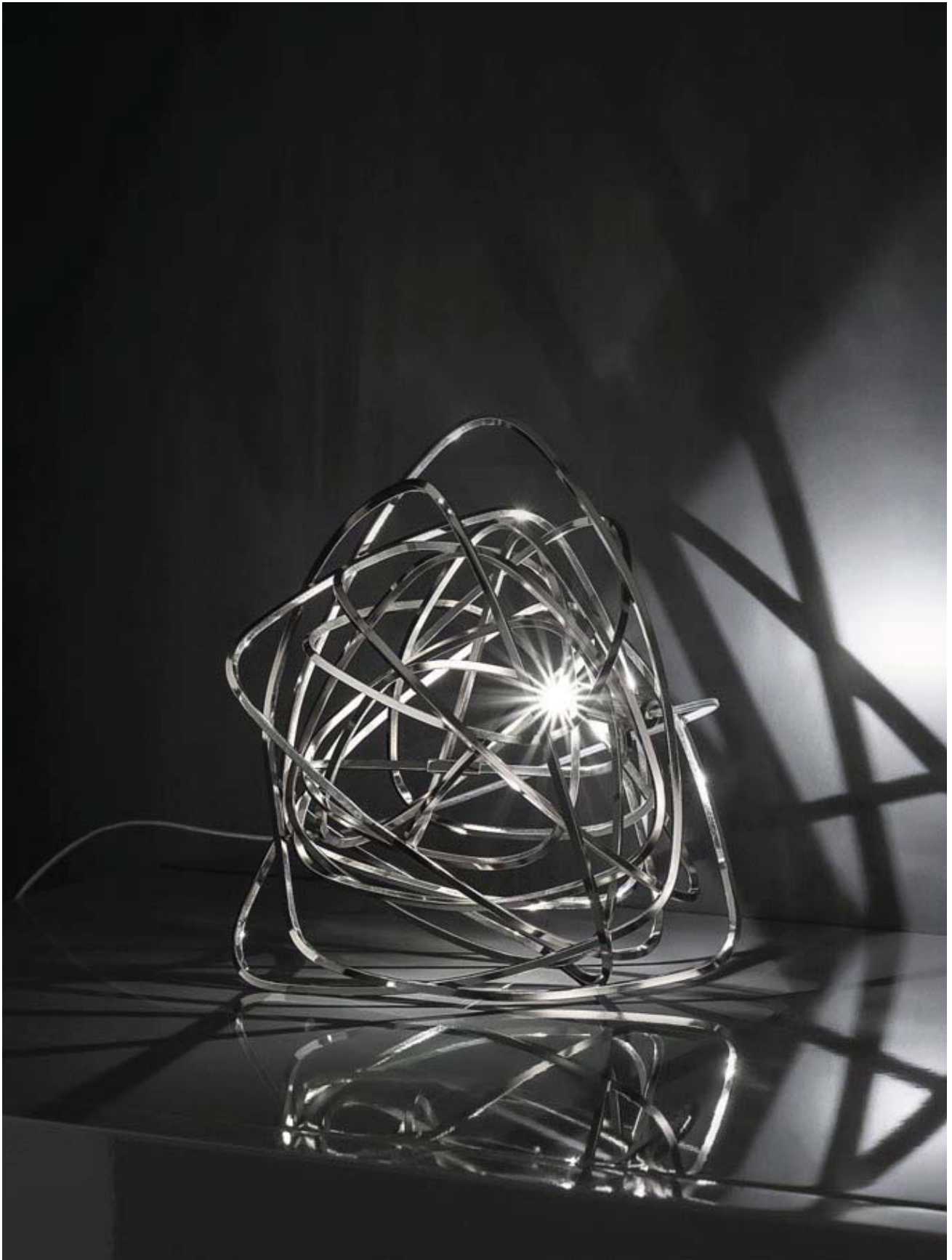








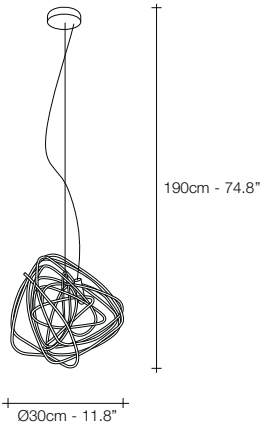




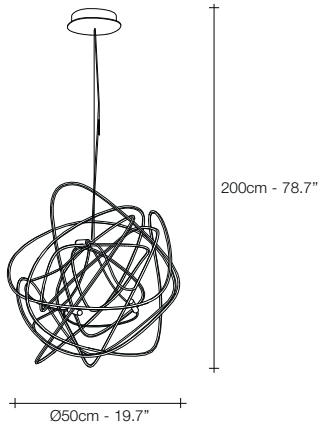




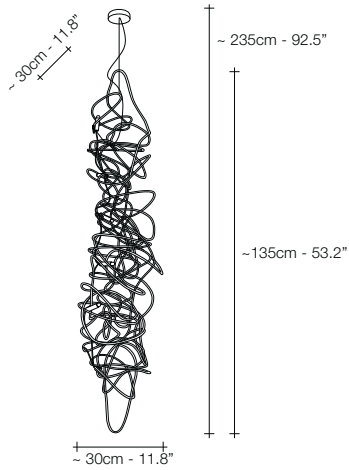




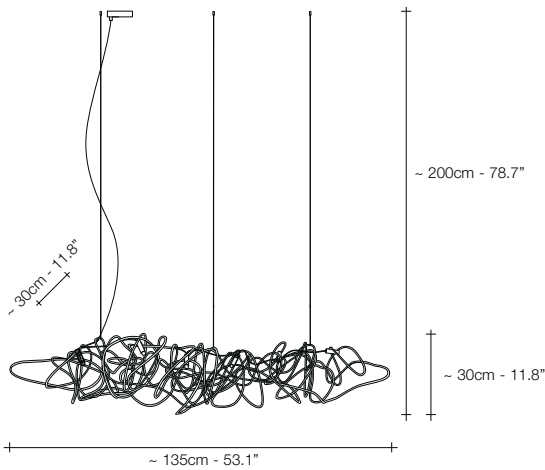
J80S



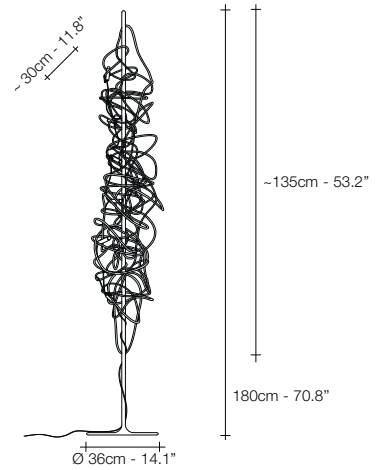
J93S



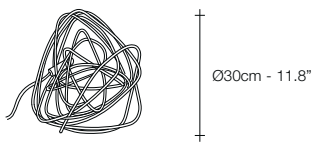
J87S



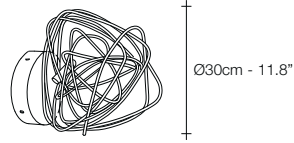
J81S



J86P



J84B



J82A



NICKEL



BLACK
AMETHYST



GOLD PLATED



COPPER

	RECOMMENDED BULB	J80S	J81S	J82A	J84B	J86P	J87S	J93S
230V	G4 LED 2700K	2W	6x2W 2W	2W	2W	6x1,2W 1,2W	6x2W 2W	5x2W 2W
	Dimmer	0/1-10V 10-100kΩ PUSH/DALI	IGBT DALI	0/1-10V 10-100kΩ PUSH/DALI	no	no	IGBT DALI	IGBT DALI
120V	G4 LED	2W	6x2W	2W	-	-	6x2W	5x2W
	Dimmer	no	IGBT TRIAC	no	-	-	IGBT TRIAC	IGBT TRIAC

Different dimming options on request



I Lucci Argentati, School of *Light.*

I Lucci Argentati draws from nature to create a whimsical, yet modern light. Recalling a school of fish darting through freshwater, it creates a mesmerizing luminescence. Sets of sleek lights combine to form a stunning pendant with thin incisions along the bottom creating an understated, tranquil beauty. Thanks to its modular system, I Lucci Argentati is customizable and can be combined in many different configurations: from small to extra large; as a pendant or sconce; and finished either in brushed nickel or white. Design Dodo Arslan.

















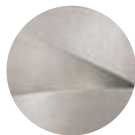
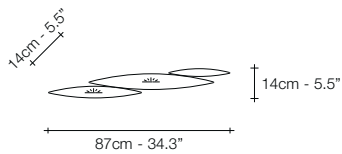
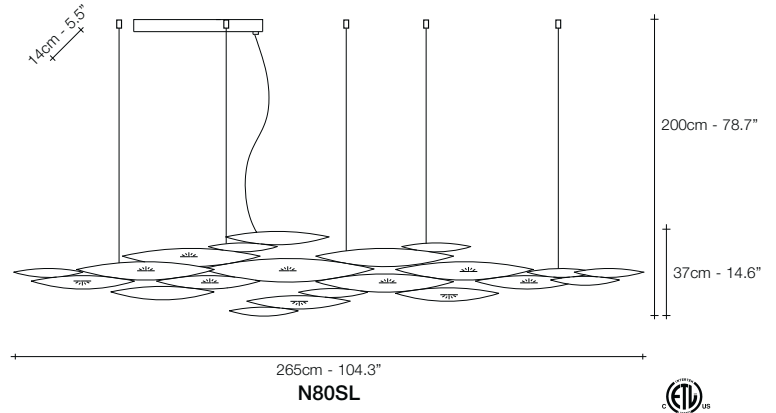
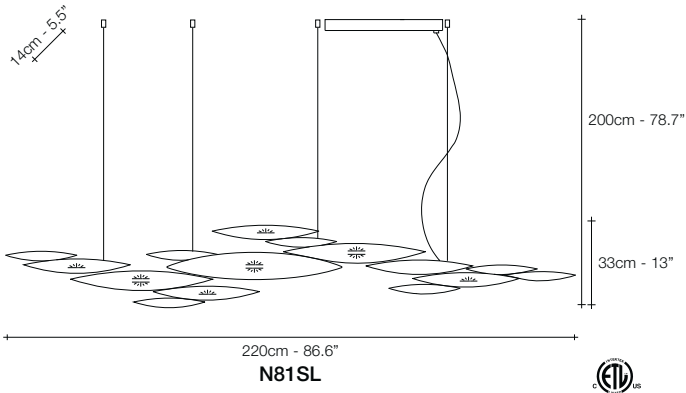
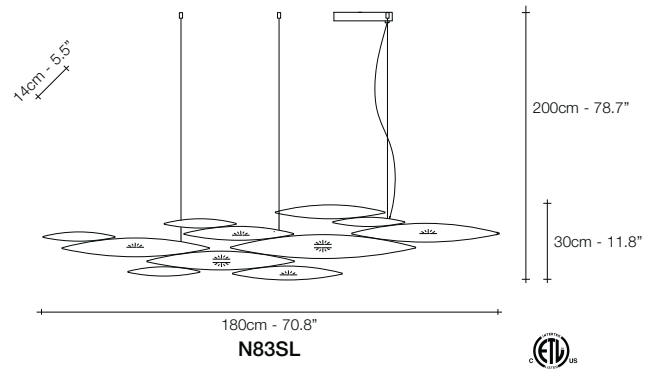
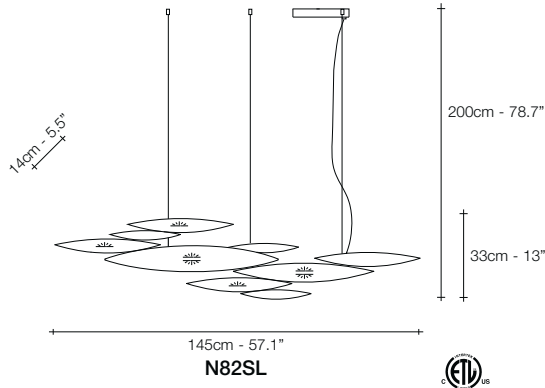




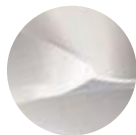








BRUSHED NICKEL



WHITE



BRUSHED GOLD PLATED

	INTEGRATED LED	N82SL	N83SL	N81SL	N80SL	N85ALB
230V	LED BOARD	7x4,5W 4655lm	8x4,5W 5320lm	10x4,5W 6650lm	10x4,5W 6650lm	2x4,5W 1330lm
	Dimmer	0/1-10V PWM 10-100KΩ PUSH/DALI	1-10V PWM 10-100KΩ PUSH/DALI	0-10V PUSH/DALI	0-10V PUSH/DALI	0/1-10V PUSH/DALI
120V	LED BOARD	7x4,5W 4655lm	8x4,5W 5320lm	10x4,5W 6650lm	10x4,5W 6650lm	2x4,5W 1330lm
	Dimmer	1-10V PWM 10-100KΩ	1-10V PWM 10-100KΩ	1-10V	1-10V	no

I Lucci Argentati can be manufactured to work with integrated LED 3000K or 2700K. Different dimming options on request.



Core, Eruption *of Light.*

Core is reminiscent of the natural energy at the heart of our world. Like bright lava seeping through the earth's crust, vibrant spheres of faceted crystal break through the iron surface of this pendant. Forcing light to pass through this metal structure results in a powerful, vibrant exchange of forces light and shadow erupt across the room, as the light pours through, as the light itself emits an organic radiance. Design Christian Lava.





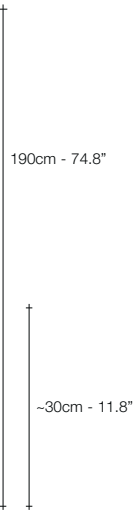
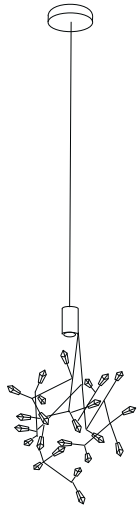






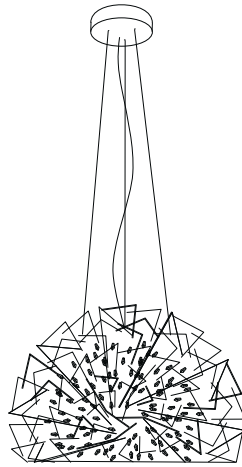






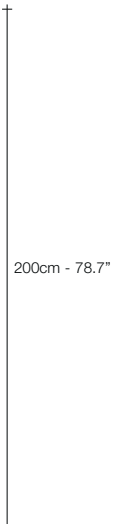
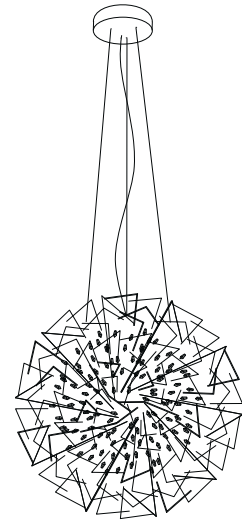
Ø20cm - 7.9"

P22S



Ø70cm - 27.6"

P21S



Ø70cm - 27.6"

P20S







NICKEL CLEAR



BLACK NICKEL CLEAR



GOLD CLEAR PLATED

	INTEGRATED LED	P22S	INTEGRATED LED	P21S	P20S
230V		LED 2.1W 240lm		COB LED CRI 90 18W 1640lm	COB LED CRI 90 18W 1640lm
		Dimmer no		Dimmer 0/1-10V PUSH/DALI	Dimmer 0/1-10V PUSH/DALI
120V		LED 2.1W 240lm		COB LED CRI 90 18W 1640lm	COB LED CRI 90 18W 1640lm
		Dimmer no		Dimmer 1-10V PUSH	Dimmer 1-10V PUSH

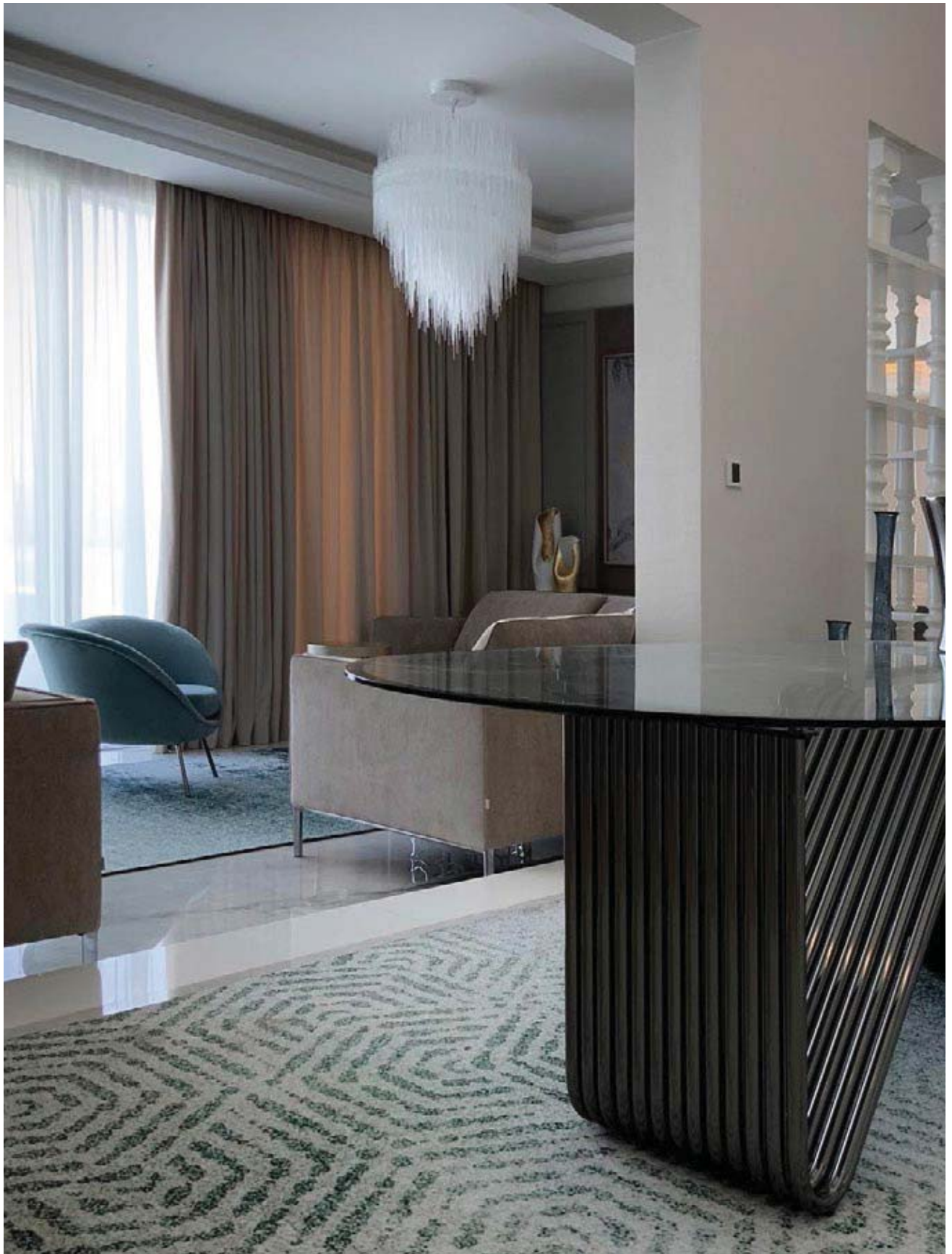
Core can be manufactured to work with 3000K or 2700K LED. Different dimming options on request



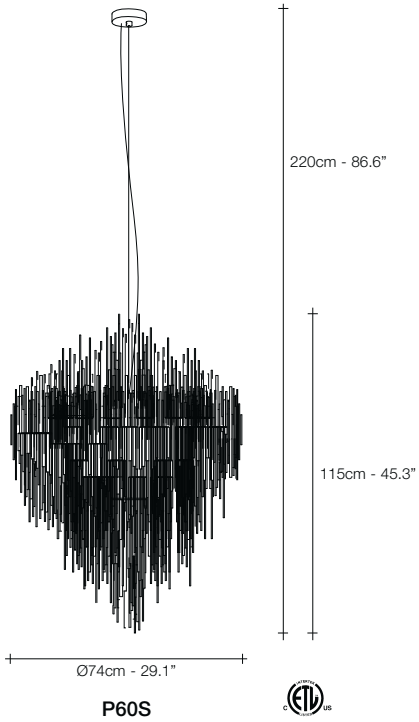
Iceberg, Pure *Light.*

Inspired by the natural beauty of ice crystals, this new suspension light creates a spectacular, luminous piece through the use of over 3600 plexyglass tubes. Similar to light refracting through water, the illumination created by Iceberg is both brilliant and natural, meticulously handcrafted, each light is a unique sculpture; sparkling, multifaceted and powerful. Design Dodo Arslan.









CLEAR
PLEXIGLAS

RECOMMENDED BULB **P60S**

230V			E14 LED	6x6W
			E27 LED	8W
Dimmable with all systems				-

120V			E12 LED	6x5.5W
			E26 LED	8W
Dimmable with all systems				-



Frame, Nature's *Imprint.*

Capturing a moment in time, Frame features a metal coral leaf, enclosed inside a borosilicate glass preserving a delicate imprint of nature. Hidden inside is a single bulb which glows from within. Creating a stirring light that projects a dynamic shadow due to the permeable coral. Frame is available in white, red, gold plated or silver plated. Design Terzani Lab.









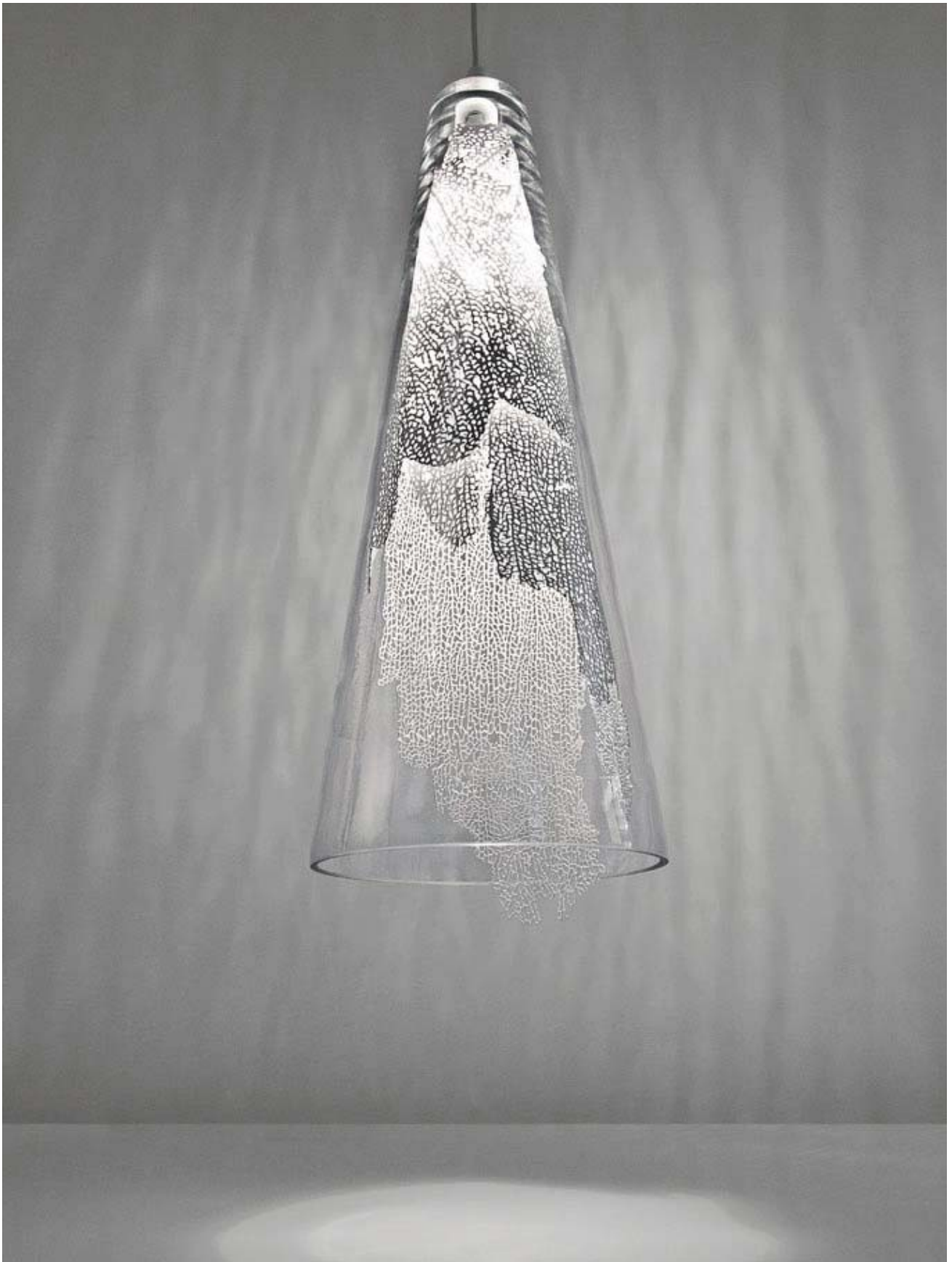


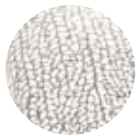
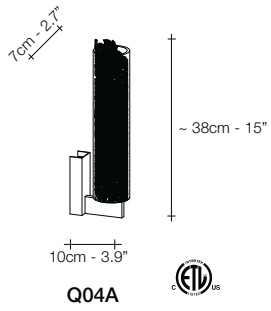
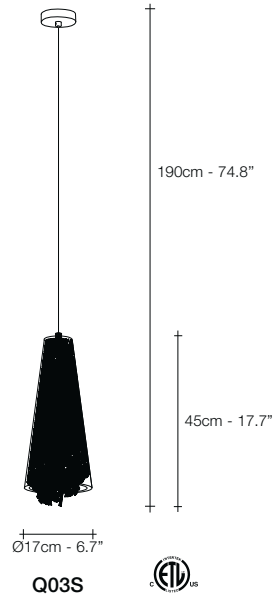
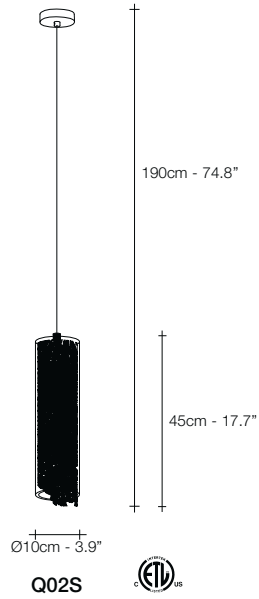
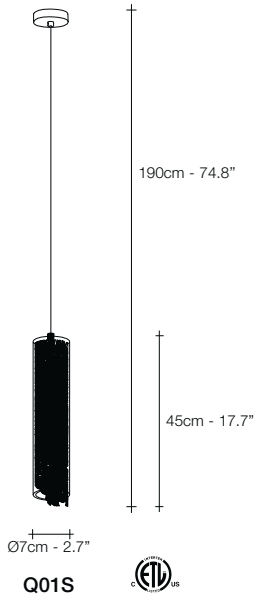






White and clear





WHITE



CORAL



SILVER



GOLD PLATED

	RECOMMENDED BULB	Q01S	Q02S	Q03S	RECOMMENDED BULB	Q04A
230V	E14 LED	4W	4W	4W	G9 LED	3,5W
	Dimmable with all systems	-	-	-	Dimmable with all systems	-
120V	E12 LED	4W	4W	4W	G9 LED	4W
	Dimmable with all systems	-	-	-	Dimmable with all systems	-



Calle, Perennial *Elegance.*

At Terzani, we spend countless days searching the globe for talented new designers, but sometimes they find us. Such is the case with the young designers Luca Martorano and Mattia Albicini who approached us with the design for Calle, a fantastic new light we instantly fell in love with. It showcases our skill at crafting crystal to take the material to an exciting, modern place. Luca and Mattia worked with our craftsmen to create a slender inverted flute of crystal that, like the calla lily it mimics, can be grouped into stunning bouquets of light. Design Draw.





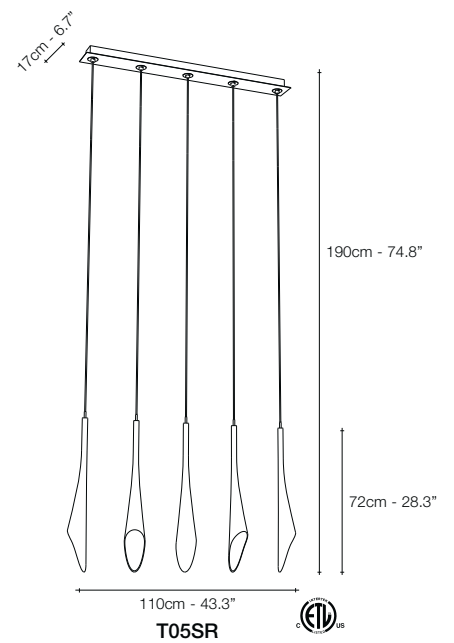
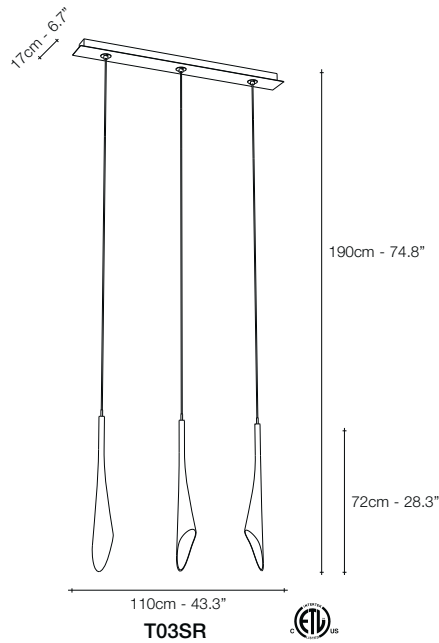
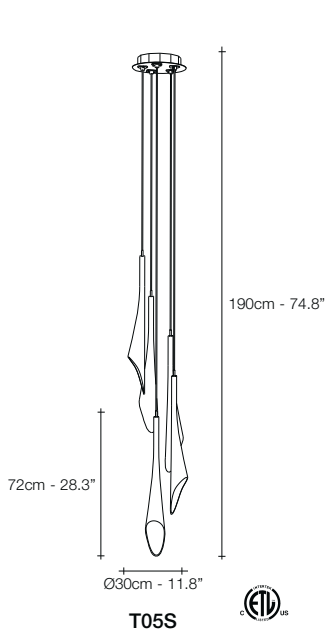
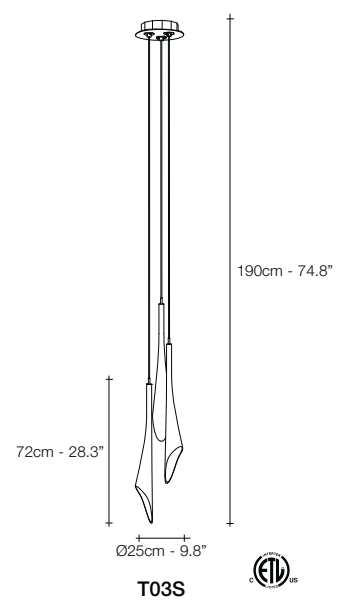
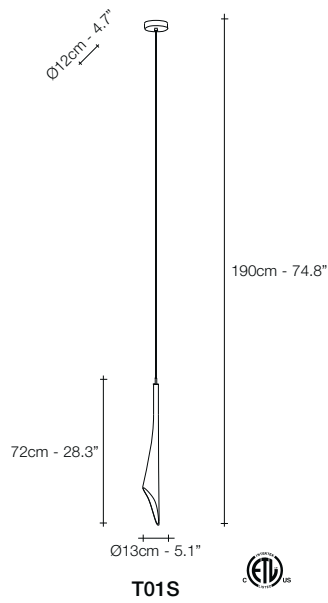
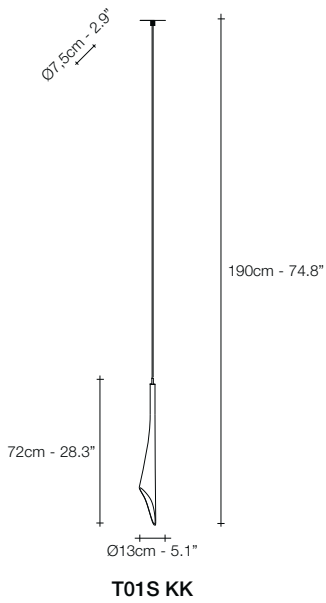












WHITE
CRYSTAL

	RECOMMENDED BULB	T01S KK	T01S	T01S	T03S	T05S	T03SR	T05SR
230V	G4 LED	2W	2W	3W	3x2W	5x2W	3x2W	5x2W
	G4 HALOGEN	20W	20W	20W	3x20W	5x20W	3x20W	5x20W
	Dimmer	IGBT 0/1-10V 10-100KΩ PUSH/DALI	IGBT TRIAC DALI	DALI	IGBT DALI	IGBT 1-10V 10V PWM DALI	IGBT DALI	IGBT 1-10V 10V PWM DALI
120V	G4 LED	2W	2W	-	3x2W	5x2W	3x2W	5x2W
	G4 XENON	20W	20W	-	3x20W	5x20W	3x20W	5x20W
	Dimmer	IGBT TRIAC	IGBT TRIAC	-	IGBT TRIAC	IGBT TRIAC	IGBT TRIAC	IGBT TRIAC

Calle can be manufactured to work with LED light source on request, different dimming options on request



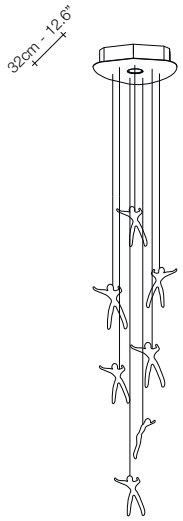
Angel Falls, Cast down *Earth.*

For his first work for Terzani, Nigel Coates, well known for his unorthodox approach to design, has created an engaging, unique light. Customizable groups of crystal “angels” are illuminated by halogen lamps. What caused these angels to fall from the heavens? It’s up to the viewers to decide. Either way, angel falls is sure to garner attention, and generate conversation, in any setting. Design Nigel Coates.





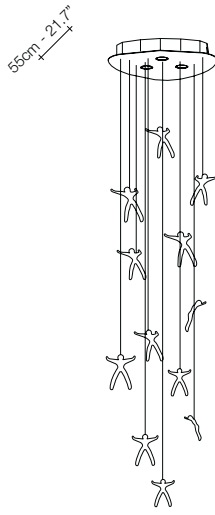




32cm - 12.6"

190cm - 74.8"

Q07S
7 angels

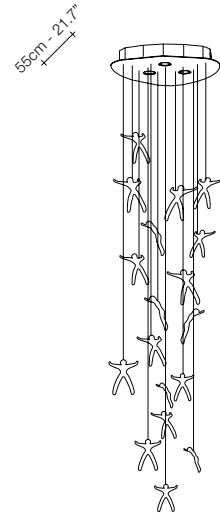


55cm - 21.7"

190cm - 74.8"

55cm - 21.7"

Q12S
12 angels

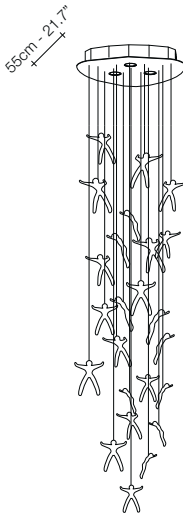


55cm - 21.7"

190cm - 74.8"

55cm - 21.7"

Q11S
18 angels

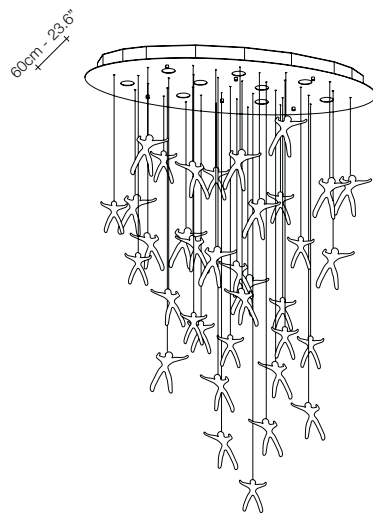


55cm - 21.7"

190cm - 74.8"

55cm - 21.7"

Q10S
24 angels



60cm - 23.6"



190cm - 74.8"

120cm - 47.2"

Q13S
36 angels



CRYSTAL

RECOMMENDED BULB		Q07S	Q12S	Q11S	Q10S	Q13S
230V	 GU10 LED	5W	3x5W	3x5W	3x5W	9x4W
	Dimmable with all systems	-	-	-	-	-
120V	 GU10 LED	7W	3x7W	3x7W	3x7W	9x6W
	Dimmable with all systems	-	-	-	-	-



Anish, Playing *Spoons.*

A playful study of reflection, the idea for Anish was born when designer Dodo Arslan, while playing with his daughter, became fascinated by the almost infinite reflections spoons unleashed due to their concave and convex surfaces. Taking this idea to a larger scale, Dodo took inspiration from Italian flatware manufacturer and created a pendant composed of a range of spoons from the smallest teaspoon to serving spoons which magnifies the reflective quality of this shape. The result is an installation that creates a “galaxy” effect of seemingly endless light. Design Dodo Arslan.

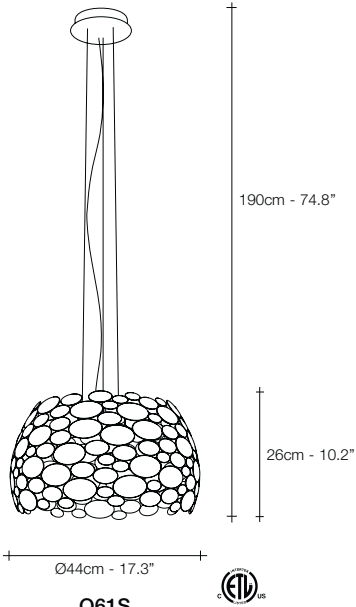




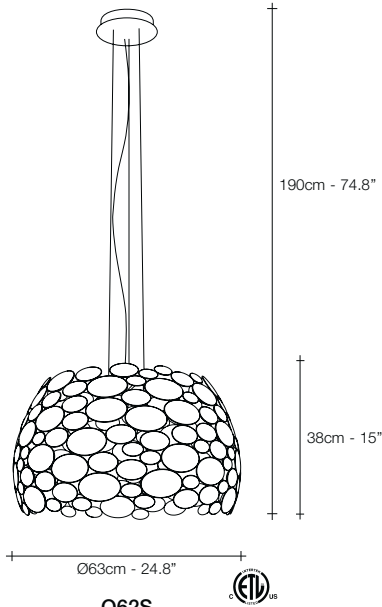








Q61S



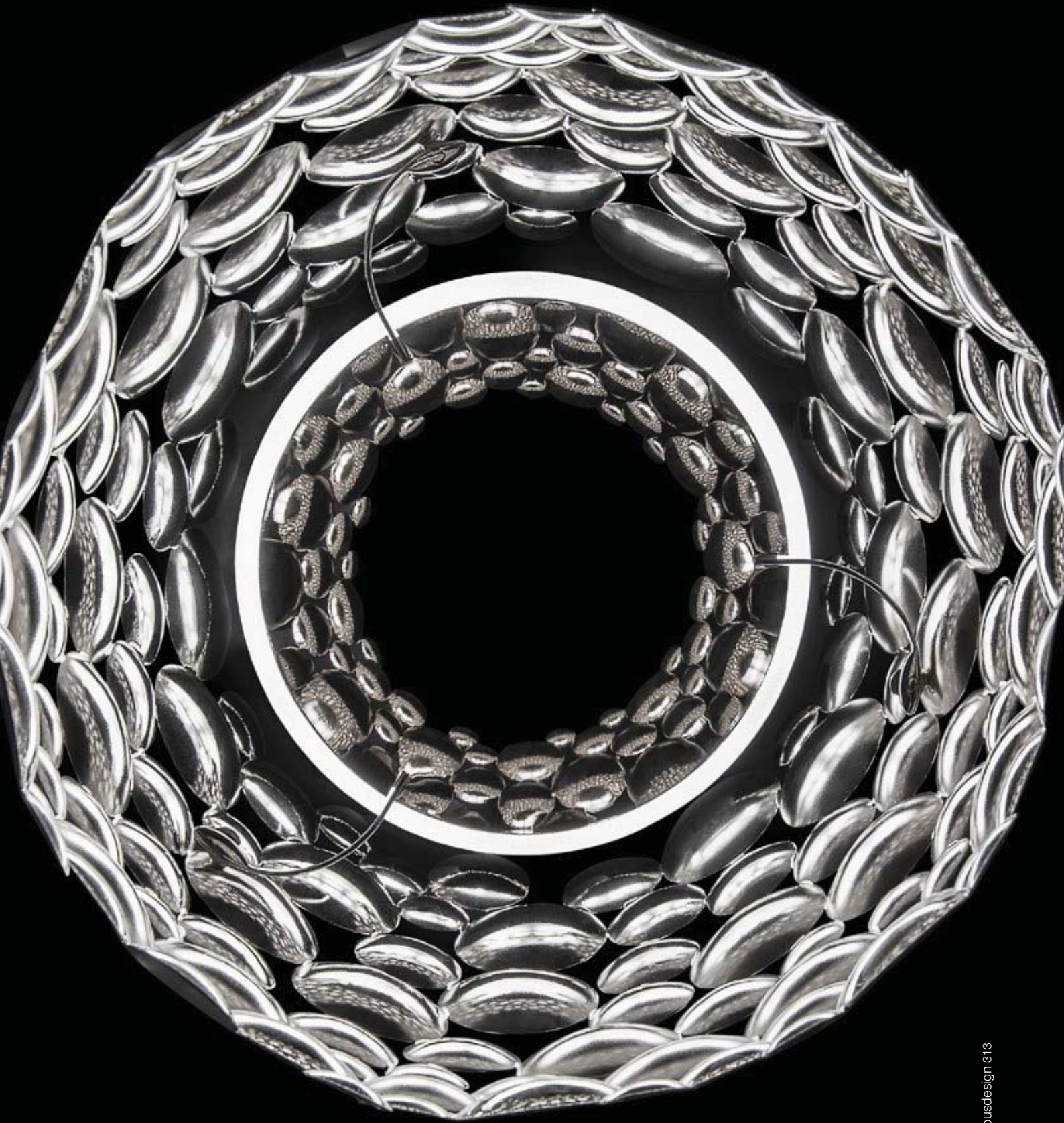
Q62S



NICKEL

	INTEGRATED LED	Q61S	Q62S
230V	LED BOARD	6x4,5W 3990lm	6x4,5W 3990lm
	CRI 90	0/1-10V PWM 10-100kΩ	0/1-10V PWM 10-100kΩ
	Dimmer	PUSH/DALI	PUSH/DALI
120V	LED BOARD	6x4,5W 3990lm	6x4,5W 3990lm
	CRI 90	1-10V PWM 10-100kΩ	1-10V PWM 10-100kΩ
	Dimmer		

Anish can be manufactured to work with integrated LED boards 3000K or 2700K. Different dimming options on request



G.r.a,
gyrating Romantic
rings of Light.

This clean, precise form is the result of hours of labor by our artisans, who meticulously weld each ring together. G.r.a. is a delicate, refined pendant whose intricate shape belies its romantic glow. Available as an oval or a sphere, and finished in nickel or gold, G.r.a. serves as an elegant, unobtrusive complement to any room. Design Bruno Rainaldi.





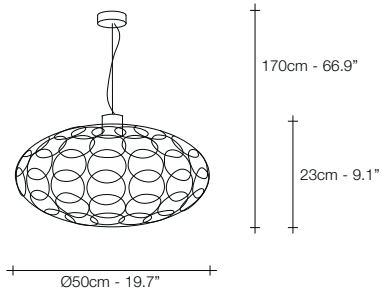




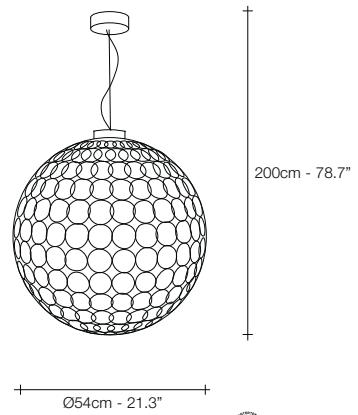




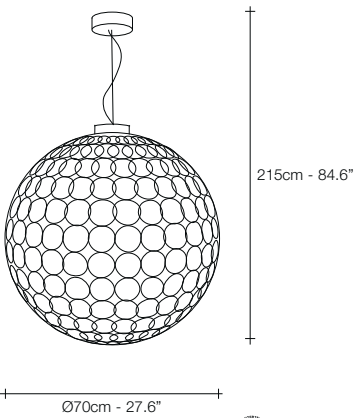




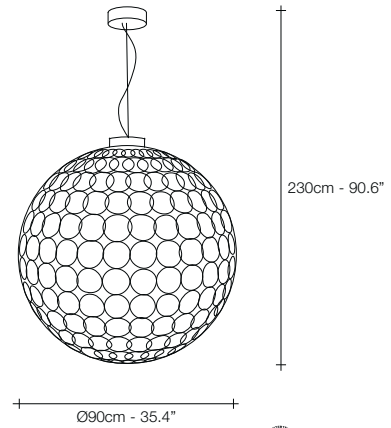
N41SL



N43SL



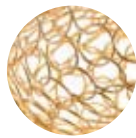
N42SL



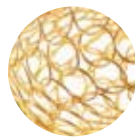
N40SL



NICKEL



GOLD LEAF



GOLD PLATED

INTEGRATED LED		N41SL	N43SL	N42SL	N40SL
230V	COB LED CRI 90	18W 1640lm	18W 1640lm	18W 1640lm	18W 1640lm
	Dimmer	1-10V PUSH/DALI	1-10V PUSH/DALI	1-10V PUSH/DALI	1-10V PUSH/DALI
120V	COB LED CRI 90	18W 1640lm	18W 1640lm	18W 1640lm	18W 1640lm
	Dimmer	1-10V PUSH	1-10V PUSH	1-10V PUSH	1-10V PUSH

G.r.a. can be manufactured to work with integrated LED 3000K or 2700K. Different dimming options on request.



Orten'zia, Petals of *Light.*

Recalling the natural beauty of a flower, Orten'zia hand-soldered "petals" emanate a unique glow, immersing the entire room in a glimmering light. An organic radiance is created through light and shadow, planting a garden within the room. Available in either nickel or gold plated, the orten'zia's elegant form complements its dramatic light. Design Bruno Rainaldi.

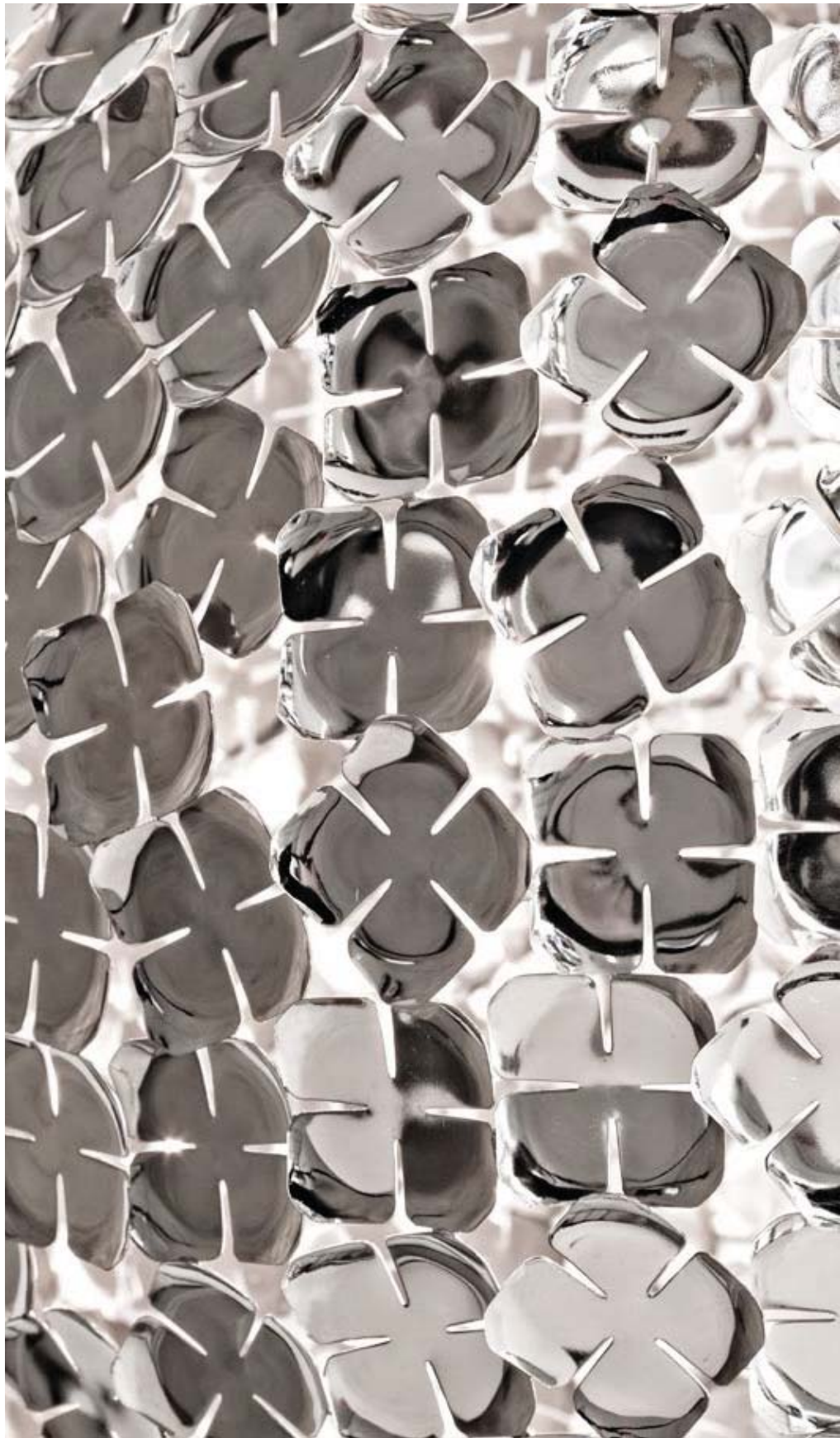








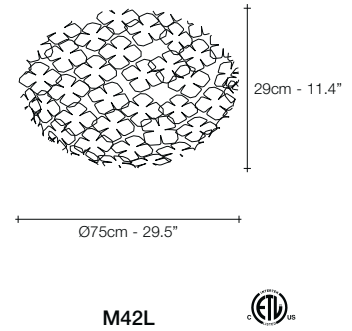
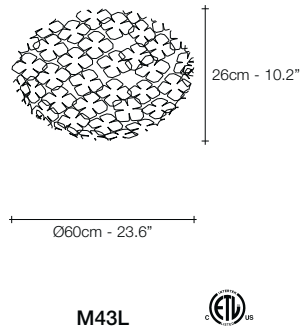
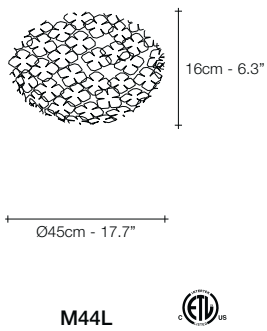
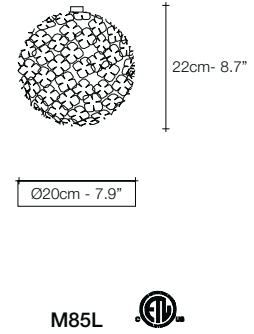
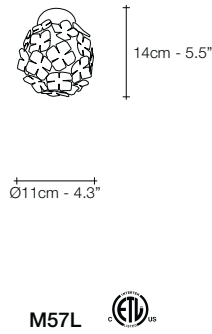
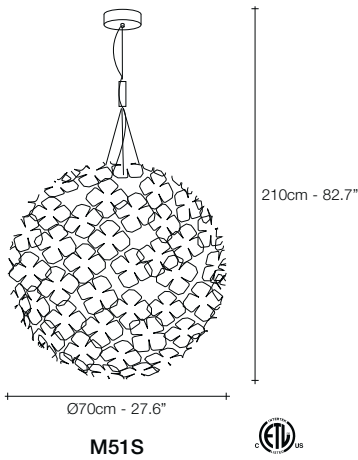
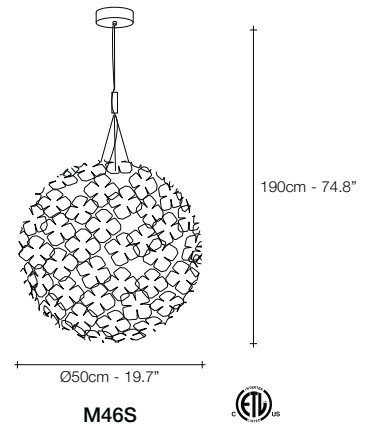
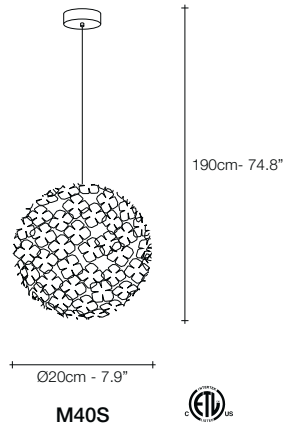
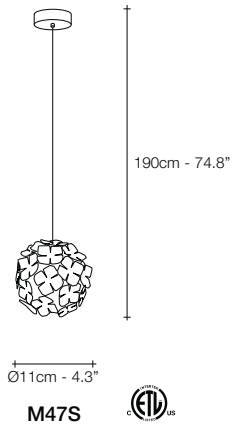












	RECOMMENDED BULB	M40S	M41B
230V	E14 LED	4W	4W
	Dimmer	all systems integrated	

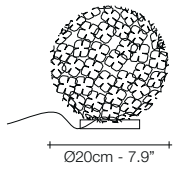
	RECOMMENDED BULB	M46S	M43L	M42L	M48P	M49P
230V	E27 LED	15W	11W	15W	11W	15W
	Dimmable with all systems	-	-	-	integrated	integrated

	RECOMMENDED BULB	M44L
230V	R7s HALOGEN	120W
	Dimmable with all systems	-

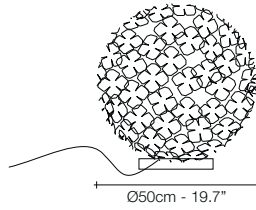
	RECOMMENDED BULB	M40S	M41B
120V	E12 LED	4W	4W
	Dimmer	all systems integrated	

	RECOMMENDED BULB	M46S	M43L	M42L	M48P	M49P
120V	E26 LED	15W	11W	15W	11W	15W
	Dimmable with all systems	-	-	-	integrated	integrated

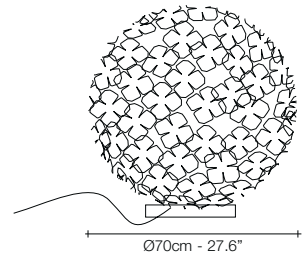
	RECOMMENDED BULB	M44L
120V	R7s HALOGEN	150W
	Dimmable with all systems	-



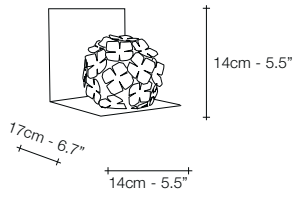
M41B



M48P





M49P



M56A

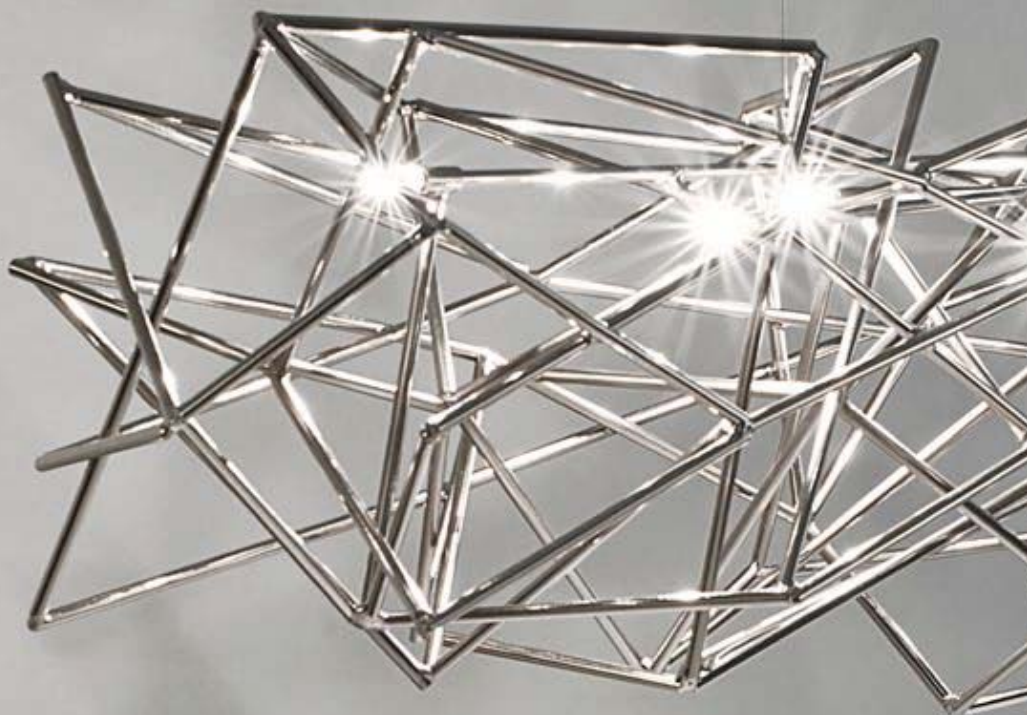


	RECOMMENDED BULB	M47S	M57L	M85L	M56A
230V	 G9 LED	3,5W	3,5W	4W	3,5W
	Dimmable with all systems	-	-	-	-
120V	 G9 LED	4W	4W	5W	4W
	Dimmable with all systems	-	-	-	-

Etoile, Twinkling in an *indoor Sky.*

Etoile's intricate network of intersecting nickel lines recalls constellations in a clear night sky. Strategically placed bulbs cast a starry light, twinkling as viewers move around the pendant. Through projecting these complex patterns throughout the room, Etoile casts a heavenly glow in any space. Design Christian Lava.

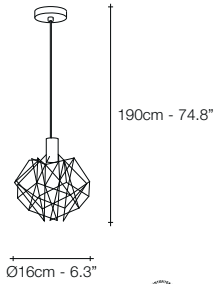




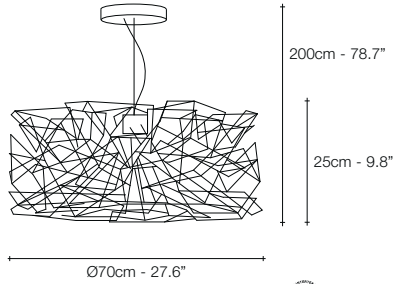




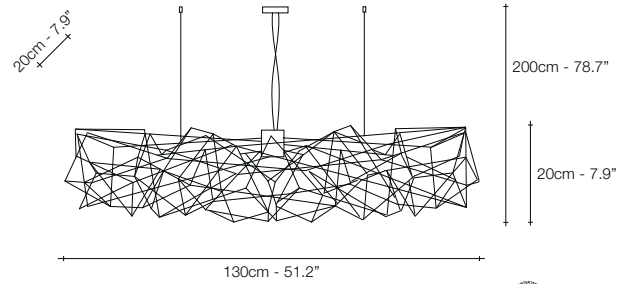




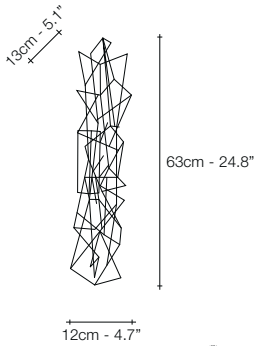
P05S



P01S



P04S



P03A



NICKEL

	RECOMMENDED BULB	P05S	P05S	P01S	P01S	P04S	P03A
230V	G4 HALOGEN	2W	3W	8x10W	16x1,2W	8x20W	6x10W
	G4 LED	20W	10W	8x20W	10V PWM	8x2W	6x2W
	Dimmer	IGBT TRIAC	DALI	IGBT TRIAC	0/1-10V 10-100kΩ PUSH/DALI	IGBT TRIAC	IGBT
120V	G4 XENON	20W	-	8x10W	-	8x20W	6x10W
	G4 LED	2W	-	8x20W	-	8x2W	6x2W
	Dimmer	IGBT TRIAC	-	IGBT	-	IGBT TRIAC	IGBT TRIAC

Etoile can be manufactured to work with LED light source on request, different dimming options on request



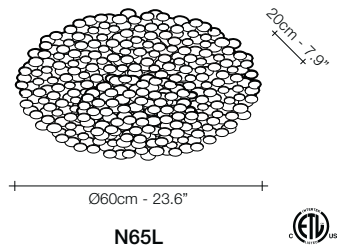
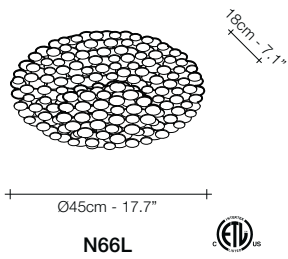
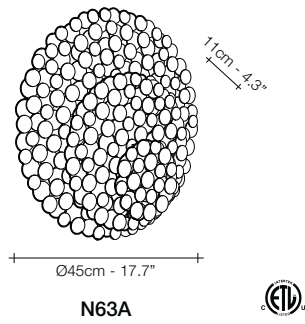
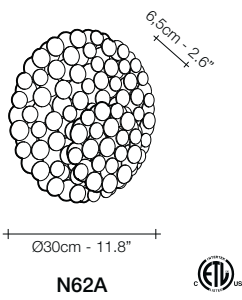
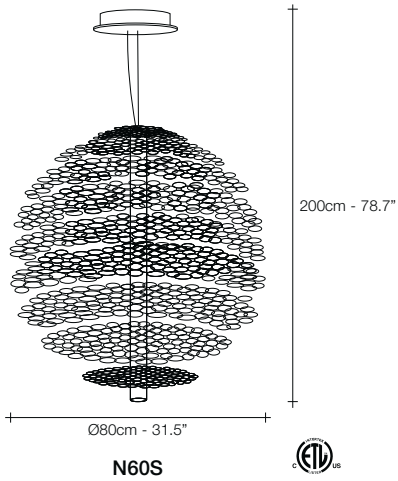
Tresor, a Wealth *of Light.*

An impeccable addition to any space, Tresor's hand-made design and precious metal "coins" create scintillating halos of light. Recalling discovered treasure, the layers of gold or silver leaf create a rich, luxurious light. Available in a range of sizes, including wall sconces and pendants, Tresor has an elegance that is truly priceless. Design Jean François Crochet.











GOLD LEAF



SILVER LEAF

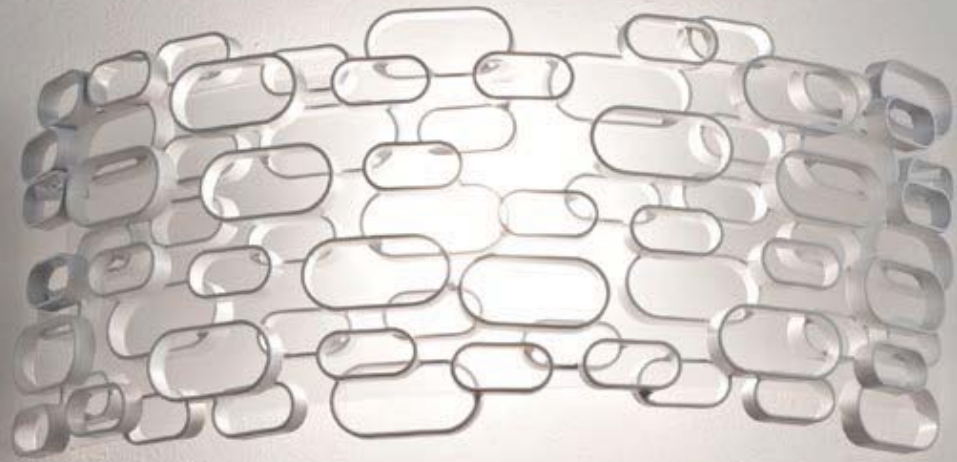
RECOMMENDED BULB		N60S	N62A	N63A	N66L	N65L
230V	 G9 LED	9x3,5W	4W	2x4W	6x3,5W	6x3,5W
	Dimmable with all systems	-	-	-	-	-
120V	 G9 LED	9x4W	5W	2x5W	6x4W	6x4W
	Dimmable with all systems	-	-	-	-	-



Glamour, Modern *Seduction.*

Glamour's randomly interspersed rings imbue this design with a seductiveness rarely applied to geometric shapes. Whether finished in gold, nickel or white, the diffused light emanating behind Glamour's rings bathes the surrounding area in a soft, sensuous glow. Available as a wall sconce, table lamp or pendant, glamour can provide subtle accents or act as the focal point of a room. Design Dodo Arslan.

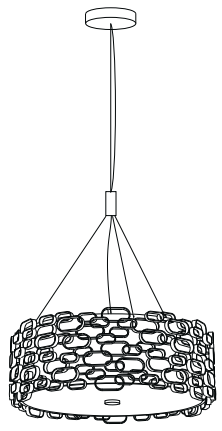












190cm - 74.8"

18cm - 7.1"

Ø45cm - 17.7"

N16S

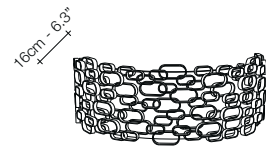


18cm - 7.1"

10cm - 3.9"

Ø45cm - 17.7"

N17L



16cm - 6.3"

18cm - 7.1"

Ø40cm - 15.7"

N18A



WHITE



NICKEL



GOLD PLATED

RECOMMENDED BULB

N16S

N17L

RECOMMENDED BULB

N18A

230V



E14 LED

3x4W

3x4W

Dimmable with all systems

-

-

230V



R7s HALOGEN LED

48W
13W
1100lm

Dimmable with all systems

IGBT

120V



E12 LED

3x4W

3x4W

Dimmable with all systems

-

-

120V



R7s HALOGEN

70W

Dimmable with all systems

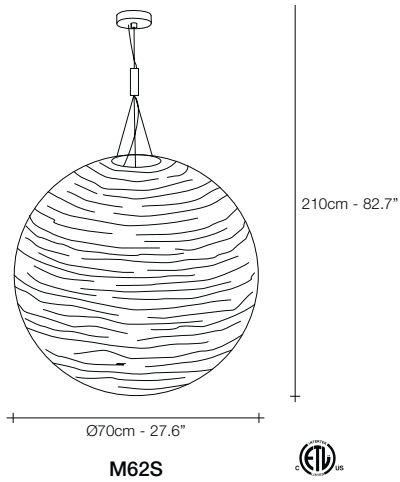
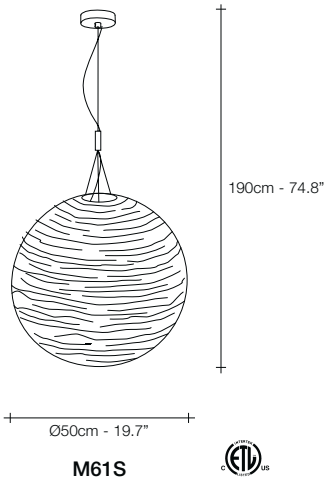
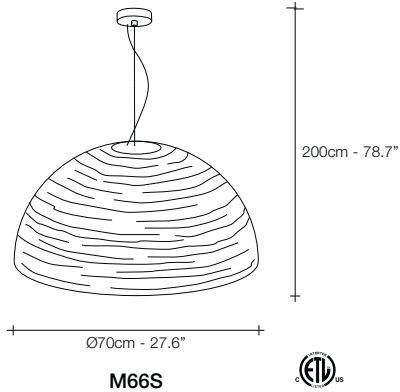
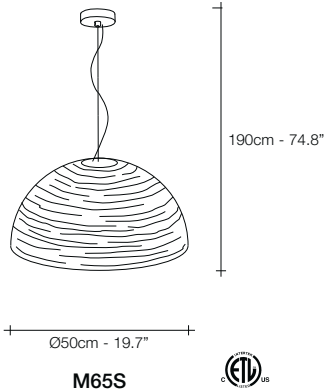
-



Magdalena, Cutting edge *Beauty.*

Reaching inside traditional forms, Magdalena's laser-cut, horizontal openings allow for its light to expand its range to the entire room. Creating an alluring pattern of light and shadow, Magdalena highlights the shape of the room itself. This unique exchange creates a pendant that impacts every space, regardless of size. Design Bruno Rainaldi.





WHITE



NICKEL



GOLD LEAF

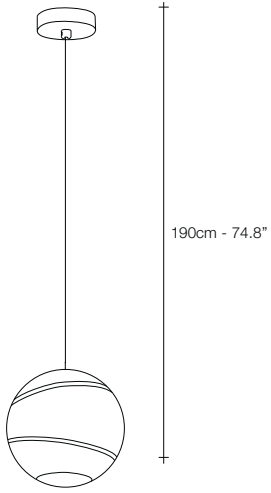
	RECOMMENDED BULB	M65S	M66S	RECOMMENDED BULB	M61S	M62S
230V	E27 LED globe	15W	15W	E27 LED	15W	15W
	Dimmable with all systems	-	-	Dimmable with all systems	-	-
120V	E26 LED globe	15W	15W	E26 LED	15W	15W
	Dimmable with all systems	-	-	Dimmable with all systems	-	-



Bond, brands of *Racing Light.*

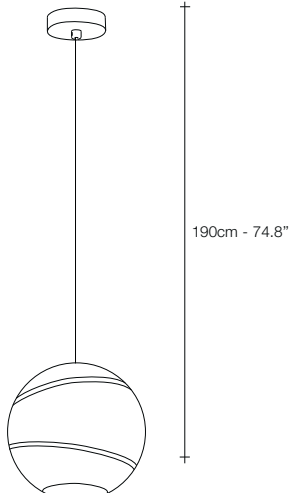
Bond's bands of light expose a deceptively luxurious interior. Under the glass exterior, lays a core of gold leaf that creates a deep, complex radiance. The overall glow is intensified by incisions that emit focused, dramatic lines of light. Extremely versatile, Bond is available in three sizes; as either a pendant or a table/floor light; and with a black or white exterior. Whether alone or grouped together, Bond's light creates a dynamic atmosphere. Design Bruno Rainaldi.





Ø12cm - 4.7"

L20S



Ø20cm - 7.9"

L21S



CLEAR GLASS
WHITE WITH
GOLD LEAF



CLEAR GLASS
BLACK WITH
GOLD LEAF

RECOMMENDED BULB L20S

230V



G9 LED

3,5W

Dimmable with all systems | -

RECOMMENDED BULB L21S



E14 LED

5W

Dimmable with all systems | -

120V



G9 LED

4W

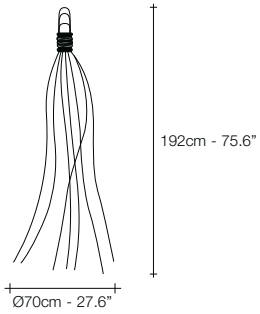
Dimmable with all systems | -



Hugo, a Welcome *Guest.*

Some designs are strong enough to stand alone. These are the pieces that transform spaces and inspire viewers. Hugo, a unique sculpture created by Terzani's master craftsmen, is composed of hand-forged metal stems, encasing a single light. With a graceful, delicate form, Hugo is a welcome guest in any space, intriguing and powerful. Design Jean François Crochet.





D20P



SATIN NICKEL

RECOMMENDED BULB D20P

230V



E27 LED

15W

Integrated dimmer |

-

120V



E26 LED

15W

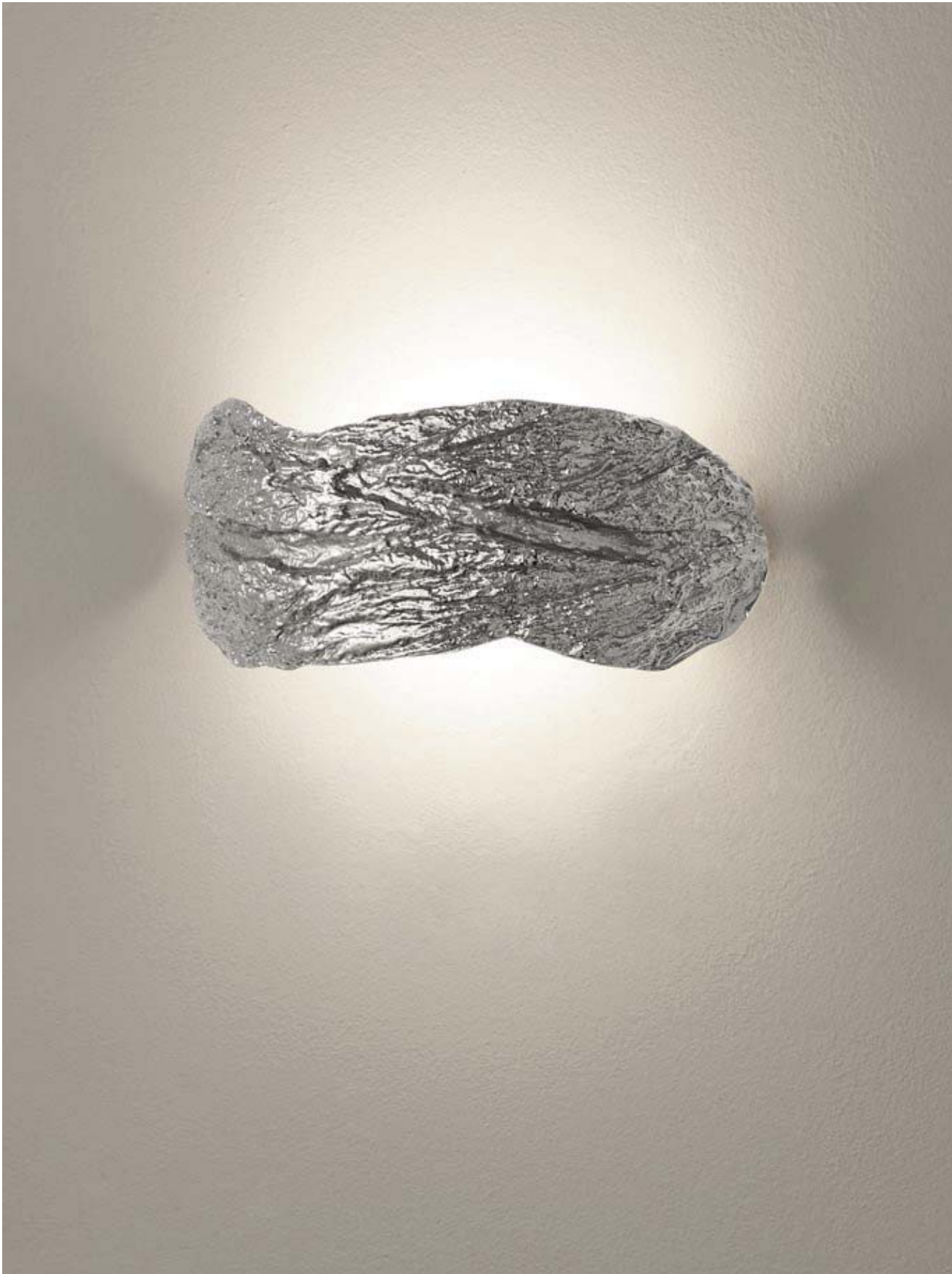
Integrated dimmer |

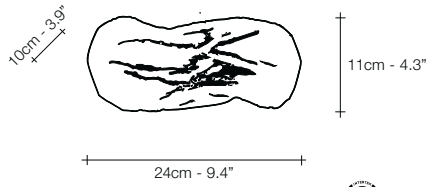
-



Wabi, Understated *Elegance.*

Influenced by the rustic simplicity of the mulberry tree, Nicolas Terzani set out to create a piece that delivered the same quiet, harmonious elegance. thus, wabi, available in white, gold-plated or silver-plated finish, which recalls the serenity and balance of its natural inspiration. the texture of wabi harnesses the anomalies of a cortex, resulting in a unique and classic light. Design Nicolas Terzani.





N74A




NICKEL




GOLD PLATED

RECOMMENDED BULB N74A

230V  **R7s HALOGEN** | 48W

Dimmable with all systems | -

120V  **R7s HALOGEN** | 70W

Dimmable with all systems | -





Be- spoke

Work with Terzani design team to bring to life your idea. From simple modification to more complex design changes.



